

DELABIE

Water Controls
for Professional Catering



CONTACTS

HEAD OFFICE & PRODUCTION SITE

18, rue du Maréchal Foch
80130 Friville
FRANCE

delabie.com

EXPORT

Tel. +33 (0)3 22 60 22 72
Fax +33 (0)3 22 60 22 82
export@delabie.fr

QUOTES

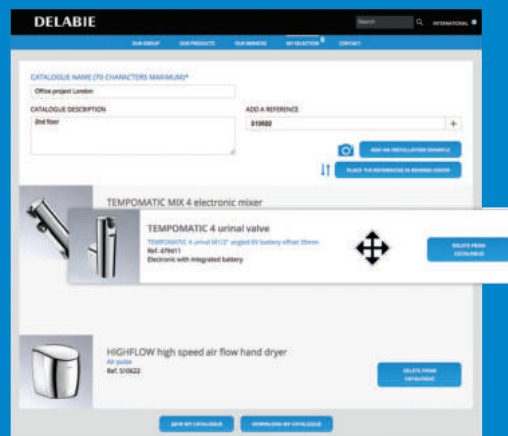
Tel. +33 (0)3 22 60 22 72
Fax +33 (0)3 22 60 22 82
export.quotes@delabie.fr

TECHNICAL SUPPORT

Tel. +33 (0)3 22 60 22 74
Fax +33 (0)3 22 30 31 07
sav@delabie.fr



SUITABLE FOR TABLETS AND SMARTPHONES

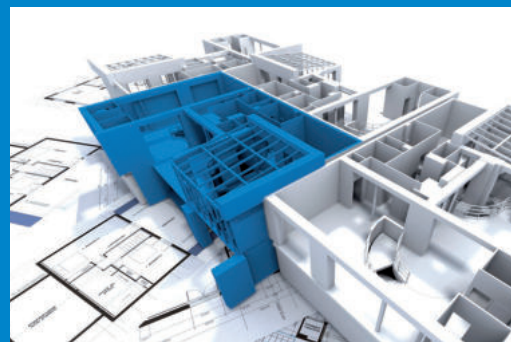


CREATE A PERSONALISED CATALOGUE

Create your own catalogue using your own product selection.

You can personalise it by giving it a project name and description, by choosing the order for the products to appear and by adding lifestyle images.

This catalogue will then be available in **Word**, **PDF** and **Excel** formats.



BIM: DELABIE'S CORE PRODUCTS ARE NOW AVAILABLE

To meet the requirements of BIM technology, DELABIE has modelled its core products.

Available in 3 formats - **REVIT**, **IFC** and **ARCHICAD**, the files can be downloaded via the relevant product data sheet or via datashare.

The list of references available in BIM format is available in **Our Services - BIM Files**.



TRENDS THE MAGAZINE: THE DESIGN TRENDS TAB

Browse the "Trends by DELABIE" magazine intended for those who are passionate about Design and the art of the "Beautiful".

Discover the 4 universes of "Trends" with major international projects, specification trends as well as interviews with prominent designers and architects who talk about their projects and their passions.



ACS

Certificate of Sanitary Conformity.

All DELABIE products conform to the CPDW* directive modified 29/05/1997, and the French Ministry of Health circular DGS/SD7A2002 no. 571 dated 25/11/2002.

* Construction Products in Contact with Drinking Water (European Commission).

DELABIE



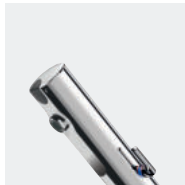
PRE-RINSE MIXERS.....	4
PRE-RINSE SPARE PARTS.....	21

PRE-RINSE
SPRAYS
3



COMMERCIAL KITCHEN CONTROLS WITH HIGH FLOW RATES.....	24
COMMERCIAL KITCHEN CONTROLS.....	34

COMMERCIAL
KITCHEN CONTROLS
23



ELECTRONIC CONTROLS.....	49
KNEE OR FOOT-OPERATED CONTROLS.....	62
SPOUTS.....	63

NON-CONTACT
CONTROLS
47



STAINLESS STEEL SANITARY WARE.....	66
WATER FOUNTAINS.....	70
SERVICE TAPS.....	73

SPECIALIST
PRODUCTS
65



ACCESSORIES FOR COMMERCIAL KITCHENS.....	78
SOAP DISPENSERS.....	81
DISPENSERS AND WASTE BINS.....	83
GROUP THERMOSTATIC MIXING VALVES.....	86
FLOOR TRAPS.....	87

ADDITIONAL
FITTINGS
77



SPARE PARTS.....	90
STANDARDS.....	93
REFERENCE INDEX.....	94

MAINTENANCE
STANDARDS
INDEX
89



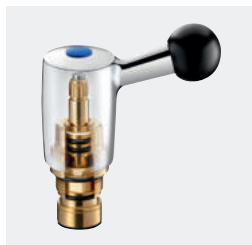
Pre-rinse mixers and taps with flexible hose and hand spray

PRE-RINSE
MIXERS
7



PRE-RINSE
SPARE PARTS
21





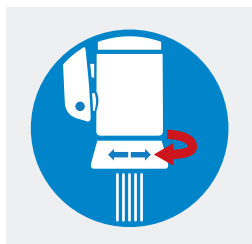
Long Life valve head with an ergonomic ball lever



Full flow rate within the first 90°



Hand spray - rain effect



Hand spray - concentrated jet



SPECIFICALLY DESIGNED FOR INTENSIVE, PROFESSIONAL USE

Subject to intensive use in professional kitchens, the catering industry and for fish preparation, etc., pre-rinse sprays must be robust and reliable. Specifically designed to withstand high stress loads, DELABIE's pre-rinse sprays are also functional, easy to handle, and ensure effective filling and cleaning.

Increased durability and endurance

All DELABIE's pre-rinse sprays are quality-controlled and tested under extreme conditions to ensure their durability. They are ideal for intensive use, particularly during busy periods in the kitchen.

Long Life valve head

Thanks to its exclusive quality features, DELABIE's water-free guided valve head - specifically designed for intensive use - provides the mechanism with enhanced durability and a smooth operation (see page 24).

Extremely robust spout and control levers

Unlike most spouts available on the market, the spout mechanism used for the Commercial Kitchen range for intensive use is manufactured from a piece of solid brass which makes it extremely robust. DELABIE's spouts are 1.25mm thick, ensuring better resistance to knocks from pans. The ball levers are shock-resistant, specifically designed to withstand impacts.

High performance flexible hose

The flexible hose on the pre-rinse assembly is made from PVC reinforced with a braided interior. It will withstand pressure up to 40 bar and temperatures up to 70°C.

It has a stain-resistant coating, stainless steel hose crimps and a PVC sheath on the stress area, and an anti-torsion rotating nut.

Reliable

DELABIE's pre-rinse sprays are fitted with extremely reliable mechanisms. They are made from scale and corrosion resistant materials.

The mechanisms will withstand the high temperatures in professional kitchens, which can reach 90°C.

Easy to use

Ergonomic ball levers

The Bakelite ball levers are easy to operate.

Practical spouts

The raised spouts can swivel, allowing large pans to be placed beneath for filling. Work surfaces are therefore freed up for greater freedom of movement.

Rapid-fill and effective cleaning

The pre-rinse sprays fill pans and plunge sinks quickly. Thanks to the rapid-turn valve head, full flow rate is achieved within the first 90°. Outlet flow rates up to 25 lpm at 3 bar are available, depending on the mixer.

The shape and intensity of the hand spray jet can be adjusted: rain effect for rinsing dirty dishes and a concentrated jet to remove baked-on food.

Maximum hygiene

Hand spray nozzle with no grid

The hand sprays are fitted with a scale-resistant diffuser (the nozzle has no grid) reducing water retention, impurity build-up and preventing the spread of germs.

Made from Hostaform® (a scale-resistant material), DELABIE's flow straightener reduces scale build-up and ensures the quality of the water jet, maintaining a laminar flow over time. It reduces the frequency of descaling.

Food-grade flexible hose

Made from high-performance, food-grade quality PN 10, the flexible hose assembly is smooth, reducing the risk of bacterial development and facilitating cleaning. In addition, it conforms to European directive 2007/19/CE regarding "materials [...] intended to come into contact with foodstuffs".

Column and spout with smooth interior

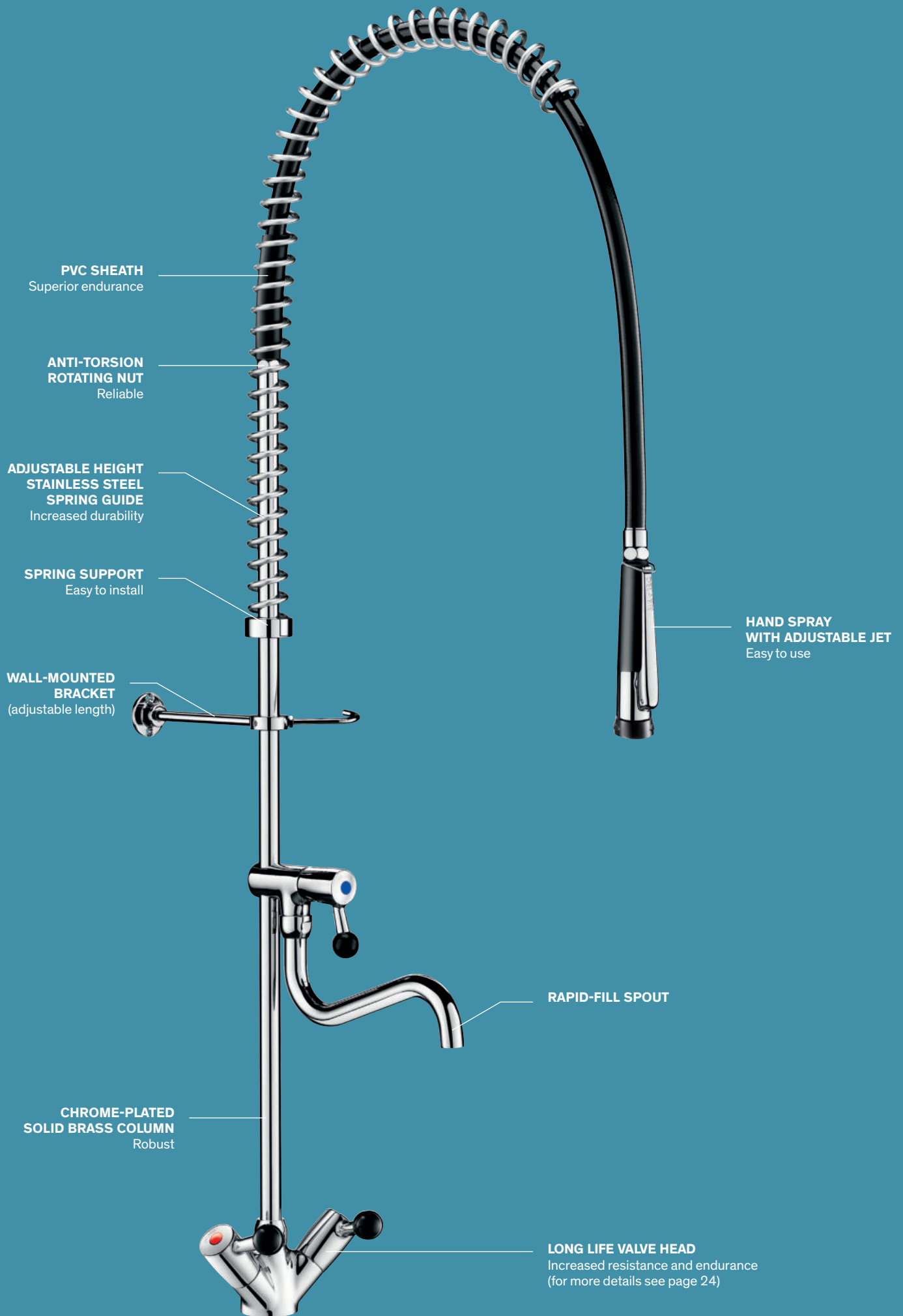
The column and spout have a smooth interior which limits bacterial adherence and growth.

AND ALSO...

Easy to maintain

Spare parts are standardised so that maintenance staff can quickly and easily exchange them.

10-year warranty against any manufacturing defects.





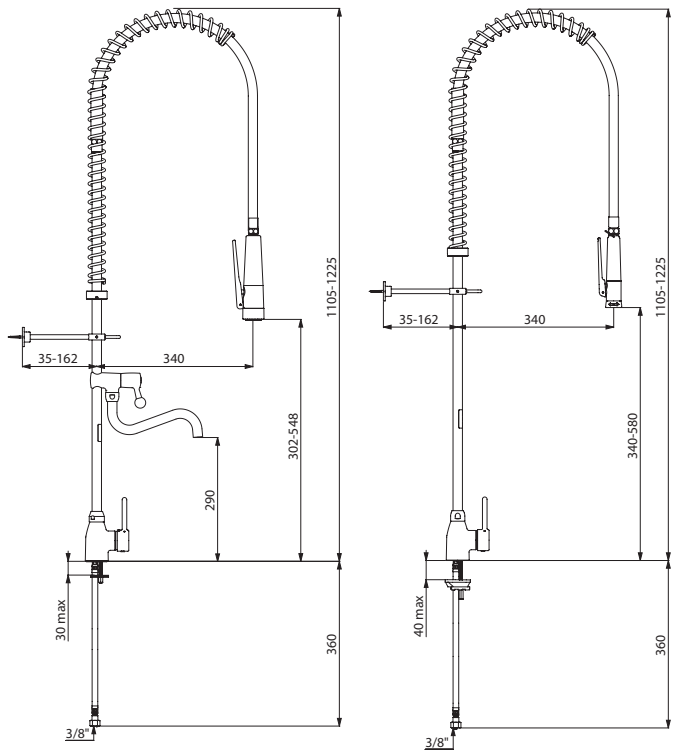
Single hole pre-rinse set with mixer 5625

Single hole pre-rinse set with mixer

Tubular spout



- Complete pre-rinse set with 3/4" brass column.
- Deck-mounted single hole mixer with slimline control lever. Supplied with F3/8" flexible connectors and non-return valves.
- Bib tap with:
 - **Swivelling, tubular spout** L. 200mm.
 - 16 lpm full flow rate achieved within the first 90°.
 - **Valve head with reinforced mechanism** and ergonomic control lever.
- **Black, scale-resistant M1/2" hand spray with adjustable jet.**
- Black, reinforced, food-grade flexible hose L. 0.95m.
- Adjustable wall bracket.
- Stainless steel spring guide.
- 10-year warranty.



5825

5626

New models 5825 and 5826: provisional availability: 1st half 2022. Please contact sales office to check availability.

Single hole pre-rinse set with mixer	
Scale-resistant hand spray with nipples (10 lpm)	
With bib tap and swivelling tubular spout	5825
Without bib tap	5826
Hand spray with scale-resistant nozzle (9 lpm)	
With bib tap and swivelling tubular spout	5625
Without bib tap	5626

Options: hand sprays, flexible hoses and spouts (see pages 78 - 79)

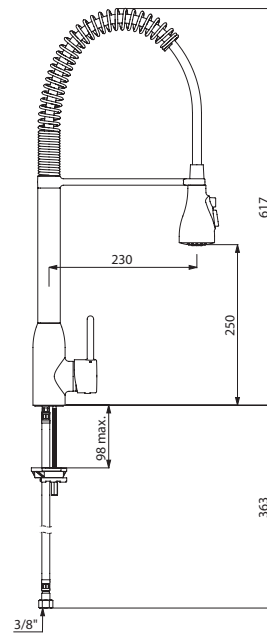


Short pre-rinse set 5526

Short single hole pre-rinse set with mixer



- Complete pre-rinse set with column and swivelling retaining hook.
- Deck-mounted single hole mixer with slimline lever.
Supplied with F $\frac{3}{8}$ " flexible connectors.
- **Hand spray with adjustable jet.**
- Black, food-grade flexible hose L. 0.95m.
- Stainless steel spring guide.
- 10-year warranty.



5526

Provisional availability: 1st half 2022.
Please contact sales office to check availability.

Short single hole pre-rinse set with mixer	5526
--	------

Options: hand sprays, flexible hoses and spouts (see pages 78 - 79)



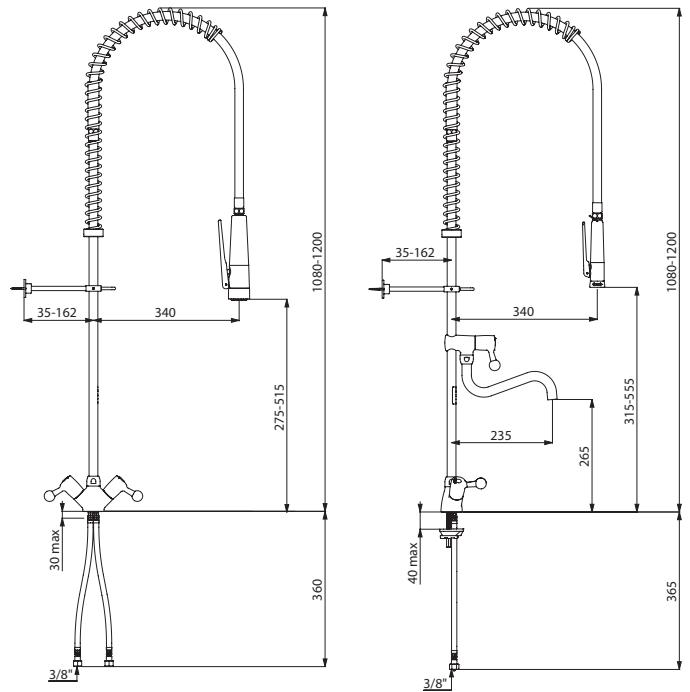
Single hole pre-rinse set with mixer **5632** - Floor-standing janitorial unit **180140** - Mixer with retracting hand spray **2211**

Single hole pre-rinse set with mixer

Tubular spout



- Complete pre-rinse set with 3/4" brass column.
- Deck-mounted single hole mixer with:
 - **Valve heads with reinforced mechanisms** and ergonomic control levers.
 - F3/8" flexible connectors and non-return valves.
 - Reinforced fixing via 2 threaded rods and back-nuts.
- Bib tap with:
 - **Swivelling, tubular spout** L. 200mm.
 - 20 lpm full flow rate achieved within the first 90°.
 - **Valve head with reinforced mechanism** and ergonomic control lever.
- **Black, scale-resistant M1/2" hand spray with adjustable jet.**
- Black, reinforced, food-grade flexible hose L. 0.95m.
- Adjustable wall bracket.
- Stainless steel spring guide.
- 10-year warranty.



5830

5632

New models 5832 and 5830: provisional availability: 1st half 2022. Please contact sales office to check availability.

Single hole pre-rinse set with mixer	
Scale-resistant hand spray with nipples (10 lpm)	
With bib tap and swivelling tubular spout	5832
Without bib tap	5830
Hand spray with scale-resistant nozzle (9 lpm)	
With bib tap and swivelling tubular spout	5632
Without bib tap	5630

Options: hand sprays, flexible hoses and spouts (see pages 78 - 79)

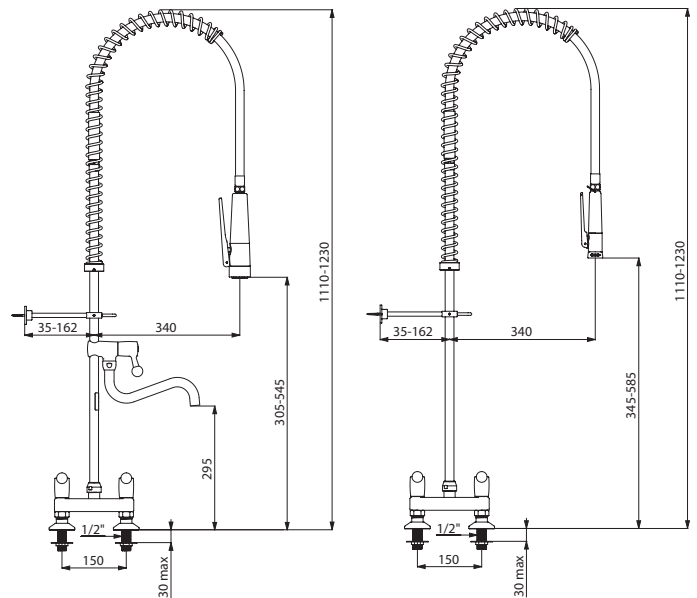
Twin hole pre-rinse set with mixer

Tubular spout



- Complete pre-rinse set with 3/4" brass column.
- Deck-mounted twin hole mixer with 150mm centres with:
 - **Valve heads with reinforced mechanisms** and ergonomic control levers.
 - Offset inlet connections with M1/2" tails.
- Bib tap with:
 - **Swivelling, tubular spout** L. 200mm.
 - 25 lpm full flow rate achieved within the first 90°.
 - **Valve head with reinforced mechanism** and ergonomic control lever.
- **Black, scale-resistant M1/2" hand spray with adjustable jet.**
- Black, reinforced, food-grade flexible hose L. 0.95m.
- Adjustable wall bracket.
- Stainless steel spring guide.
- 10-year warranty.

These pre-rinse sets can be installed close to the splashback.



5833

5680

New models 5833 and 5880: provisional availability: 1st half 2022. Please contact sales office to check availability.

Twin hole pre-rinse set with mixer	
Scale-resistant hand spray with nipples (10 lpm)	
With bib tap and swivelling tubular spout	5833
Without bib tap	5880
Hand spray with scale-resistant nozzle (9 lpm)	
With bib tap and swivelling tubular spout	5633
Without bib tap	5680

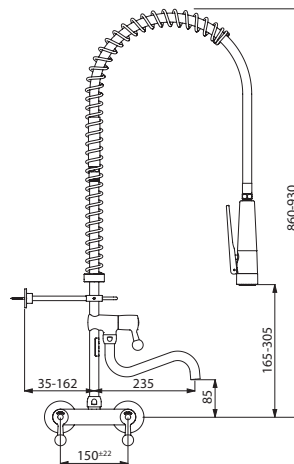
Options: hand sprays, flexible hoses and spouts (see pages 78 - 79)

Wall-mounted pre-rinse set with mixer

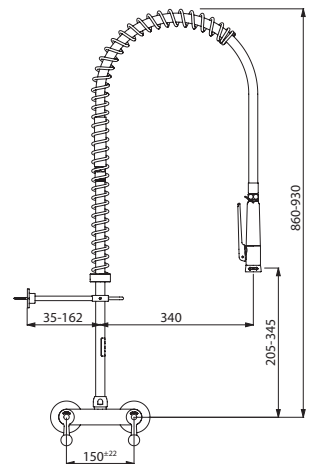
Tubular spout



- Complete pre-rinse set with 3/4" brass column.
- Wall-mounted mixer, F3/4" with adjustable centres with:
 - **Valve heads with reinforced mechanisms** and ergonomic control levers.
 - Offset connectors M1/2" M3/4" (see page 79).
 - Non-return valves integrated in the mixer.
- Bib tap with:
 - **Swivelling, tubular spout** L. 200mm.
 - 25 lpm full flow rate achieved within the first 90°.
 - **Valve head with reinforced mechanism** and ergonomic control lever.
- **Black, scale-resistant M1/2" hand spray with adjustable jet.**
- Black, reinforced, food-grade flexible hose L. 0.95m.
- Adjustable wall bracket.
- Stainless steel spring guide.
- 10-year warranty.



5834



5636

*New models 5834 and 5836: provisional availability: 1st half 2022.
Please contact sales office to check availability.*

Wall-mounted pre-rinse set with mixer	
Scale-resistant hand spray with nipples (10 lpm)	
With bib tap and swivelling tubular spout	5834
Without bib tap	5836
Hand spray with scale-resistant nozzle (9 lpm)	
With bib tap and swivelling tubular spout	5634
Without bib tap	5636

Options: hand sprays, flexible hoses and spouts (see pages 78 - 79)

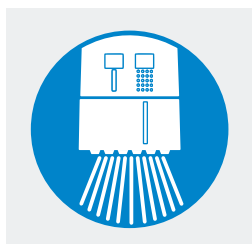
SPECIFICALLY DESIGNED FOR PROFESSIONAL USE



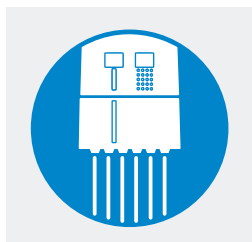
Water-free valve head with control knob



Full flow rate in 1/2 turn



Hand spray - rain effect



Hand spray - concentrated jet



Increased durability and endurance

All DELABIE's pre-rinse sprays are quality-controlled and tested under extreme conditions to ensure their durability under stress.

Water-free valve head

Thanks to its exclusive quality features, DELABIE's water-free valve head, that is fitted to the Commercial Kitchen range, provides **the mechanism with enhanced durability and a smooth operation**: no sign of wear after **200,000 operations** (see page 34).

Robust spout

The Commercial Kitchen range of spouts for professional use is provided with reinforced fixings for the base which ensures the spout is held in place correctly.

DELABIE's telescopic spouts are robust, ensuring better resistance to knocks from pans.

High performance flexible hose

The flexible hose on the pre-rinse assembly is made from PVC reinforced with a braided interior. **It will withstand pressure up to 40 bar and temperatures up to 70°C**. It has a stain-resistant coating, stainless steel hose crimps and a **PVC sheath** on the stress area, and an anti-torsion rotating nut.

Reliable

DELABIE's pre-rinse sprays are fitted with **extremely reliable mechanisms**. They are made from **scale and corrosion resistant** materials.

The mechanisms will withstand the high temperatures in professional kitchens, which can reach 90°C.

Easy to use

The rapid-fill spout is **telescopic and can swivel**, allowing large pans to be placed beneath for filling. Works surfaces are therefore freed up for greater freedom of movement.

Rapid-fill and effective cleaning

The pre-rinse sprays fill pans and plunge sinks quickly. Outlet flow rates up to 25 lpm at 3 bar are available, depending on the mixer.

The shape and intensity of the hand spray jet can be adjusted: **rain effect** for rinsing dirty dishes and a **concentrated jet** to remove baked-on food.

Maximum hygiene

Hand spray nozzle with no grid

The hand sprays are fitted with a **scale-resistant diffuser** (the nozzle has no grid) reducing water retention, impurity build-up and preventing the spread of germs.

Made from Hostaform® (a scale-resistant material), DELABIE's flow straightener reduces scale build-up and ensures the quality of the water jet, maintaining a laminar flow over time. It reduces the frequency of descaling.

Food-grade flexible hose

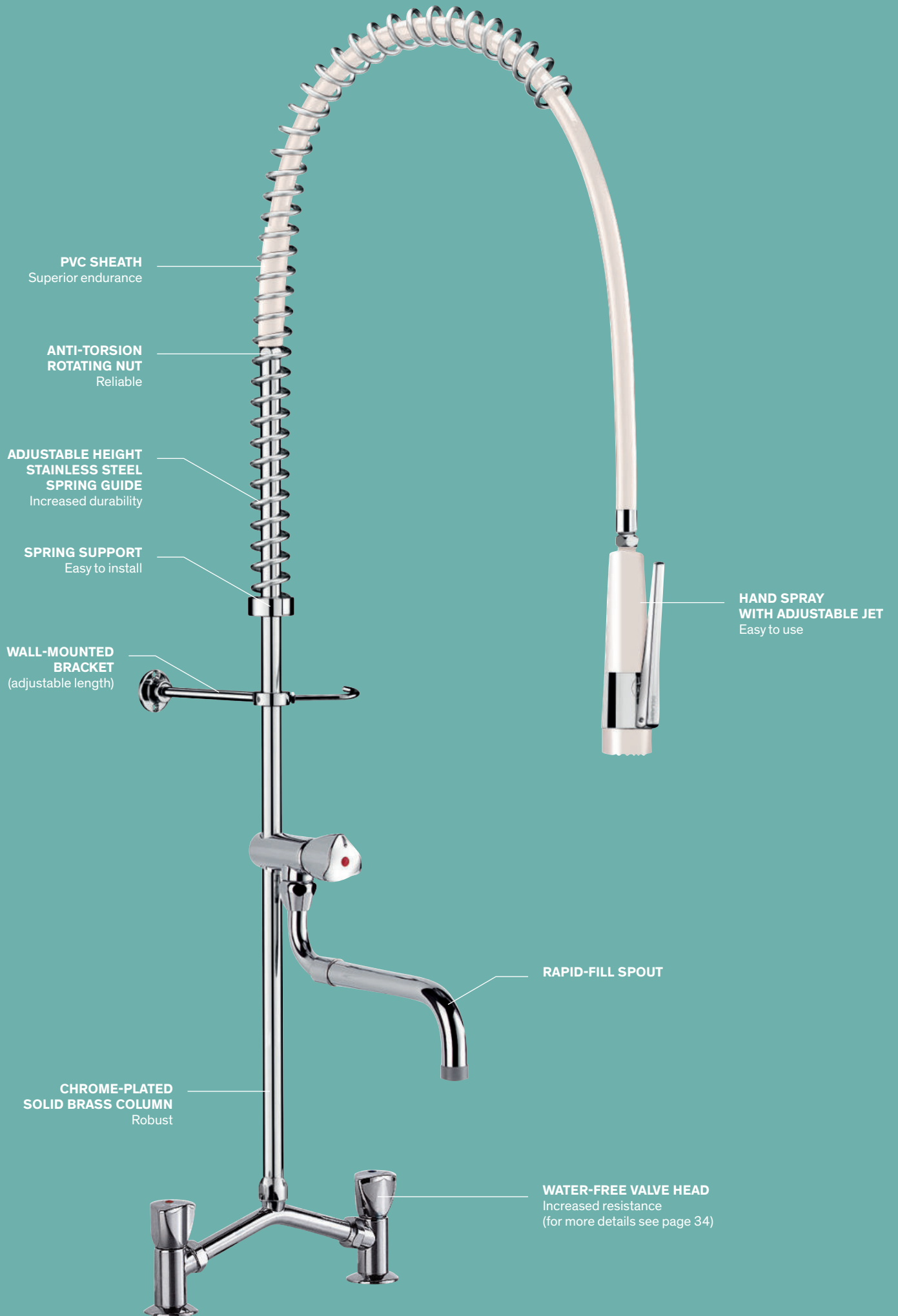
Made from high-performance, food-grade quality PN 10, the flexible hose assembly is smooth, reducing the risk of bacterial development and facilitating cleaning. In addition, it conforms to European directive 2007/19/CE regarding "materials [...] intended to come into contact with foodstuffs".

AND ALSO...

Easy to maintain

Spare parts are standardised so that maintenance staff can quickly and easily exchange them.

10-year warranty against any manufacturing defects.



Displayed model: twin hole pre-rinse set with mixer (ref. G6832)



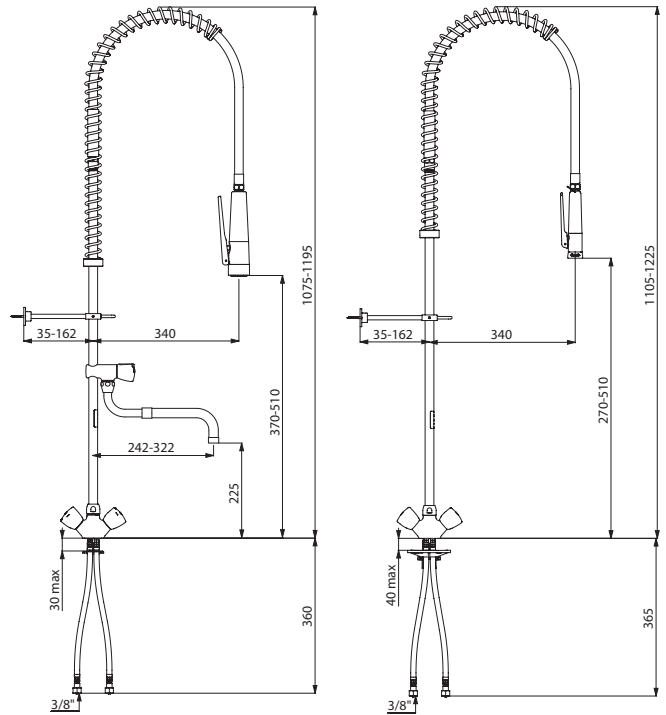
Single hole pre-rinse set with mixer **G6632**

Single hole pre-rinse set with mixer

Telescopic spout



- Complete pre-rinse set with 3/4" brass column.
- Deck-mounted single hole mixer with:
 - Valve heads with control knobs.
 - F3/8" flexible connectors and non-return valves.
 - Reinforced fixing via 2 threaded rods and back-nuts.
- Bib tap with:
 - **Telescopic, swivelling spout** L. 200 - 290mm with 20 lpm flow rate at the outlet.
 - Valve head with control knob.
- **White, scale-resistant M1/2" hand spray with adjustable jet.**
- White, reinforced, food-grade flexible hose L. 0.95m.
- Adjustable wall bracket.
- Stainless steel spring guide.
- 10-year warranty.



G6932

G6633

New models G6932 and G6933: provisional availability: 1st half 2022. Please contact sales office to check availability.

Single hole pre-rinse set with mixer	
Scale-resistant hand spray with nipples (10 lpm)	
With bib tap and swivelling telescopic swivelling spout	G6932
Without bib tap	G6933
Hand spray with scale-resistant nozzle (9 lpm)	
With bib tap and swivelling telescopic swivelling spout	G6632
Without bib tap	G6633

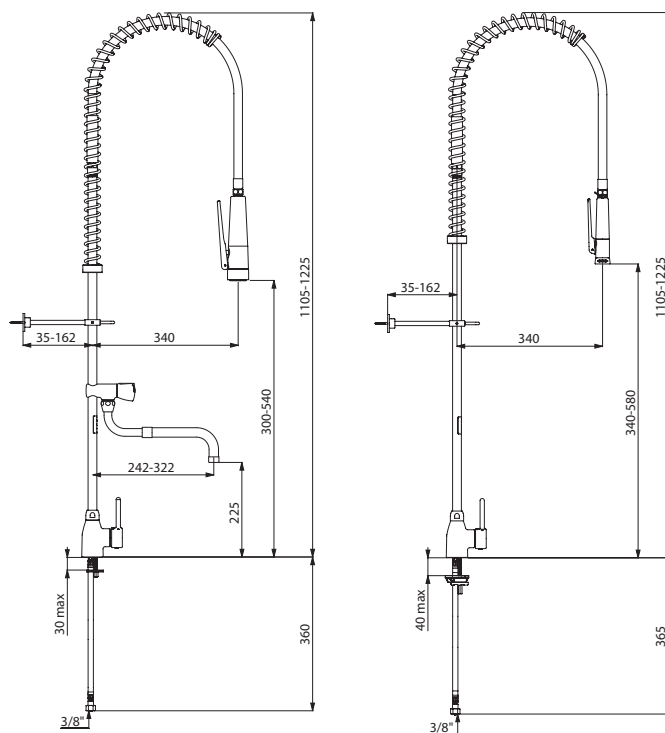
Options: hand sprays, flexible hoses and spouts (see pages 78 - 79)

Single hole pre-rinse set with mixer

Telescopic spout



- Complete pre-rinse set with 3/4" brass column.
- Deck-mounted single hole mixer with slimline control lever. Supplied with F3/8" flexible connectors and non-return valves.
- Bib tap with:
 - Telescopic, swivelling spout L. 200 - 290mm with 16 lpm flow rate at the outlet.
 - Valve head with control knob.
- White, scale-resistant M1/2" hand spray with adjustable jet.
- White, reinforced, food-grade flexible hose L. 0.95m.
- Adjustable wall bracket.
- Stainless steel spring guide.
- 10-year warranty.



6892

6693

New models 6892 and 6893: provisional availability: 1st half 2022. Please contact sales office to check availability.

Single hole pre-rinse set with mixer	
Scale-resistant hand spray with nipples (10 lpm)	
With bib tap and telescopic swivelling spout	6892
Without bib tap	6893
Hand spray with scale-resistant nozzle (9 lpm)	
With bib tap and telescopic swivelling spout	6692
Without bib tap	6693

Options: hand sprays, flexible hoses and spouts (see pages 78 - 79)

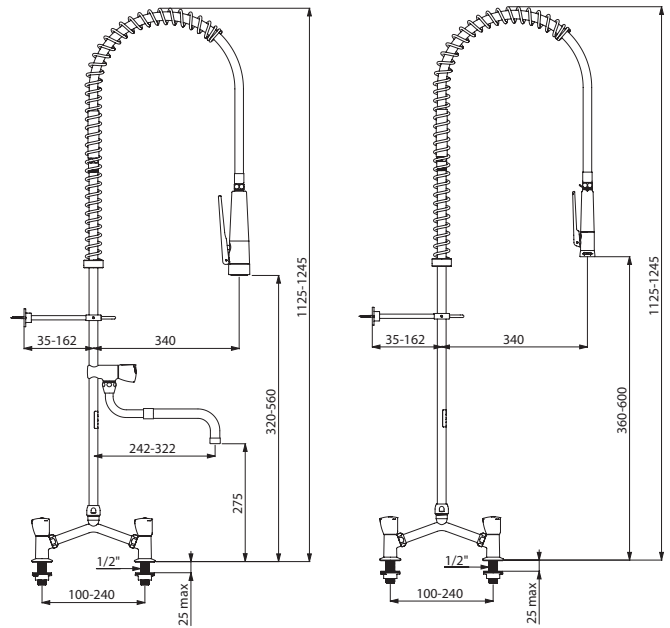
Twin hole pre-rinse set with mixer

Telescopic spout



- Complete pre-rinse set with 3/4" brass column.
- Deck-mounted twin hole mixer with adjustable centres 100 - 240mm includes:
 - Valve heads with control knobs.
 - Offset inlet connections with M1/2" tails.
- Bib tap with:
 - **Telescopic, swivelling spout** L. 200 - 290mm with 20 lpm flow rate at the outlet.
 - Valve head with control knob.
- **White, scale-resistant M1/2" hand spray with adjustable jet.**
- White, reinforced, food-grade flexible hose L. 0.95m.
- Adjustable wall bracket.
- Stainless steel spring guide.
- 10-year warranty.

These pre-rinse sets can be installed close to the splashback.



G6832

G6533

New models G6832 and G6833: provisional availability: 1st half 2022. Please contact sales office to check availability.

Twin hole pre-rinse set with mixer	
Scale-resistant hand spray with nipples (10 lpm)	
With bib tap and telescopic swivelling spout	G6832
Without bib tap	G6833
Hand spray with scale-resistant nozzle (9 lpm)	
With bib tap and telescopic swivelling spout	G6532
Without bib tap	G6533

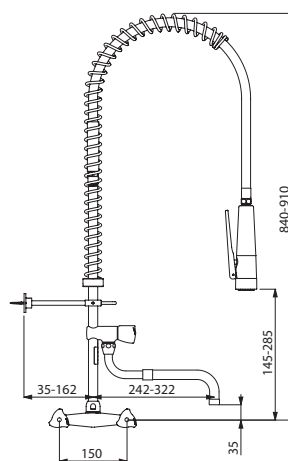
Options: hand sprays, flexible hoses and spouts (see pages 78 - 79)

Wall-mounted pre-rinse set with mixer

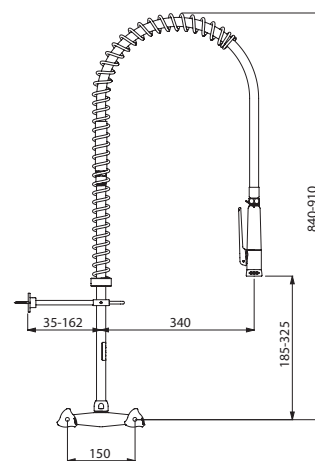
Telescopic spout



- Complete pre-rinse set with ¾" brass column.
- Wall-mounted mixer, F¾" with 150mm centres includes:
 - Valve heads with control knobs.
 - Non-return valves integrated in the mixer.
- Bib tap with:
 - **Telescopic, swivelling spout** L. 200 - 290mm with 20 lpm flow rate at the outlet.
 - Valve head with control knob.
- **White, scale-resistant M½" hand spray with adjustable jet.**
- White, reinforced, food-grade flexible hose L. 0.95m.
- Adjustable wall bracket.
- Stainless steel spring guide.
- 10-year warranty.



G6732



G6433

New models G6732 and G6733: provisional availability: 1st half 2022. Please contact sales office to check availability.

Wall-mounted pre-rinse set with mixer	
Scale-resistant hand spray with nipples (10 lpm)	
With bib tap and telescopic swivelling spout	G6732
Without bib tap	G6733
Hand spray with scale-resistant nozzle (9 lpm)	
With bib tap and telescopic swivelling spout	G6432
Without bib tap	G6433

Options: hand sprays, flexible hoses and spouts (see pages 78 - 79)

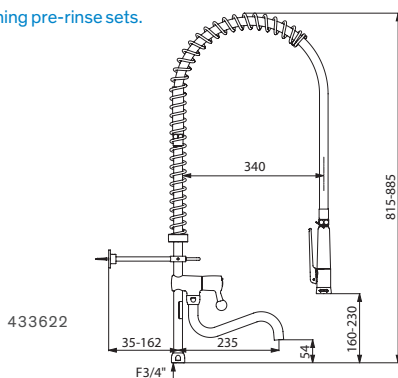
Black pre-rinse set



Black pre-rinse set with 3/4" brass column includes:

- Bib tap with:
 - Swivelling, tubular spout L. 200mm.
 - Valve head with reinforced mechanism and ergonomic control lever.
- Black, scale-resistant M1/2" hand spray with adjustable jet.
- Black, reinforced, food-grade flexible hose L. 0.95m.
- Adjustable wall bracket.
- Stainless steel spring guide.
- 10-year warranty.

This pre-rinse set, with no valve, comprises spare parts for refurbishing pre-rinse sets.



Black pre-rinse set	
Scale-resistant hand spray with nipples (10 lpm)	
With long column, F3/4", and tubular spout	435722
With long column, F3/4", without spout	435720
With short column, F3/4", and tubular spout*	435622
With short column, F3/4", without spout*	435620
Hand spray with scale-resistant nozzle (9 lpm)	
With long column, F3/4", and tubular spout	433722
With long column, F3/4", without spout	433720
With short column, F3/4", and tubular spout*	433622
With short column, F3/4", without spout*	433620

* For wall-mounted mixers

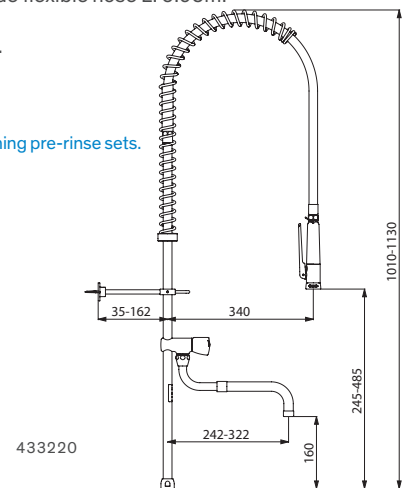
White pre-rinse set



White pre-rinse set with 3/4" brass column includes:

- Bib tap with:
 - Telescopic, swivelling spout L. 200 - 290mm.
 - Valve head with control knob.
- White, scale-resistant M1/2" hand spray with adjustable jet.
- White, reinforced, food-grade flexible hose L. 0.95m.
- Adjustable wall bracket.
- Stainless steel spring guide.
- 10-year warranty.

This pre-rinse set, with no valve, comprises spare parts for refurbishing pre-rinse sets.



White pre-rinse set	
Scale-resistant hand spray with nipples (10 lpm)	
With long column, F3/4", and telescopic spout	435220
With long column, F3/4", without spout	435020
With short column, F3/4", and telescopic spout*	435422
With short column, F3/4", without spout*	435420
Hand spray with scale-resistant nozzle (9 lpm)	
With long column, F3/4", and telescopic spout	433220
With long column, F3/4", without spout	433020
With short column, F3/4", and telescopic spout*	433422
With short column, F3/4", without spout*	433420

* For wall-mounted mixers



Commercial Kitchen Controls

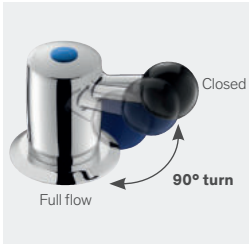
COMMERCIAL
KITCHEN
CONTROLS
WITH HIGH
FLOW RATES
27



COMMERCIAL
KITCHEN
CONTROLS
37



SPECIFICALLY DESIGNED FOR INTENSIVE, PROFESSIONAL USE



Long Life valve head, full flow rate within the first 90°



Robust spout



Subject to intensive use in professional kitchens, the catering industry and for fish preparation etc., mixers and taps must be robust and reliable. Specifically designed to withstand intensive use, DELABIE's mixers and taps for Commercial Kitchens are also functional, easy to handle, and ensure effective filling.

Increased durability and endurance

All the mixers and taps in DELABIE's Commercial Kitchen range are quality-controlled and tested under extreme conditions to ensure their durability. They are ideal for intensive use, particularly during busy periods in the kitchen.

Long Life valve head

Thanks to its exclusive quality features, DELABIE's water-free guided valve head - specifically designed for intensive use - provides **the mechanism with enhanced durability** and a **smooth operation** (see below).

Extremely robust spout and ball levers

Unlike most spouts available on the market, the spout mechanism used for the Commercial Kitchen range for intensive use, is **manufactured from a piece of solid brass** which makes it extremely robust. DELABIE's spouts are **1.25mm thick**, ensuring better resistance to knocks from pans. The **ball levers** are **shock-resistant**, specifically designed to withstand impacts.

Reliable

DELABIE's mixers and taps are fitted with **extremely reliable mechanisms**. They are made from **scale and corrosion resistant** materials. The mechanisms will withstand the high temperatures in professional kitchens, which can reach 90°C.

Easy to use

Ergonomic ball levers

The Bakelite ball levers are easy to operate.

Practical spouts

The spouts can **swivel**, allowing large pans to be placed beneath for filling.

Rapid-fill

Thanks to the rapid-turn valve head, **full flow rate is achieved within the first 90°** for mixers with ≤ 60 lpm flow rates and in 1/2 turn for mixers with a 100 lpm flow rate.

Mixers and taps with high flow rates fill pans and plunge sinks quickly.

Maximum hygiene

The smooth spout interior reduces the risk of bacterial development. The spouts are fitted with a brass, star-shaped flow straightener which reduces scale build-up and ensures the quality of the water jet, maintaining a laminar flow over time.

AND ALSO...

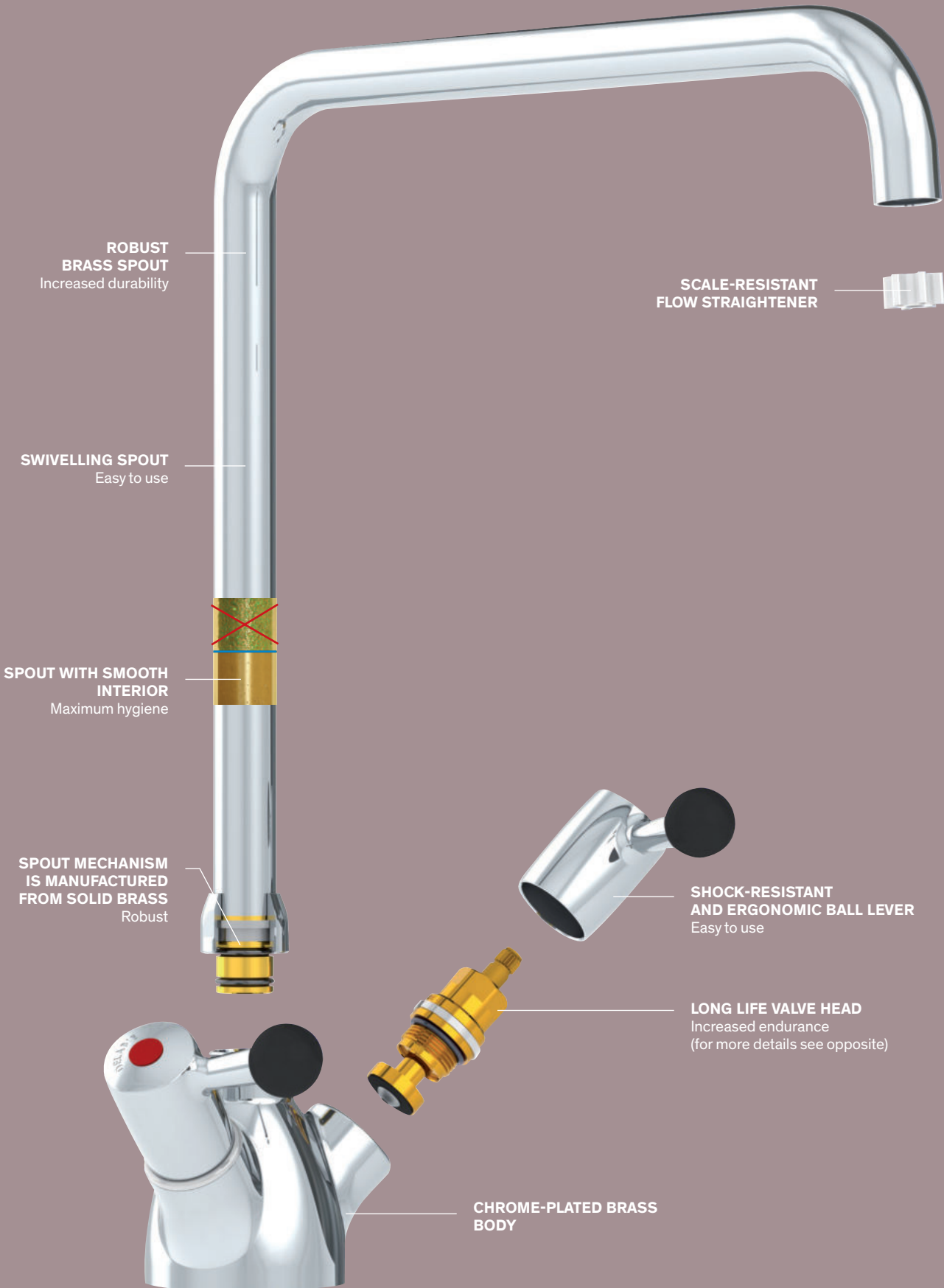
Easy to maintain

Spare parts are standardised so that maintenance staff can quickly and easily exchange them.

10-year warranty against any manufacturing defects.

EXCLUSIVE QUALITY FEATURES OF THE VALVE HEAD WITH REINFORCED MECHANISM

- BRONZE CIRCLIP WITH LUGS**
durable and easy to remove
- DOUBLE O-RING**
improved guidance, perfect water seal, long life
- LONG LIFE FOOD GRADE GREASE**
PRECISION MANUFACTURING
reduced wear and smooth operation
- O-RING**
allows mechanism to operate free from water
- STAINLESS STEEL FIXING SCREW**
perfect tightening
will not corrode over time
- ERGONOMIC BALL LEVER**
black Bakelite knob:
high impact resistance
- ULTRAMID® ANTI-FRICTION WASHER**
thermoplastic material eliminates metal/metal friction for longer life
- DOUBLE THREADED MECHANISM**
improved guidance and valve movement
- REINFORCED VALVE HEAD**
elastomer is highly resistant to shocks
superior durability (90 shores),
minimal valve displacement (withstands impact of the seat)



ROBUST BRASS SPOUT
Increased durability

SCALE-RESISTANT FLOW STRAIGHTENER

SWIVELLING SPOUT
Easy to use

SPOUT WITH SMOOTH INTERIOR
Maximum hygiene

SPOUT MECHANISM IS MANUFACTURED FROM SOLID BRASS
Robust

SHOCK-RESISTANT AND ERGONOMIC BALL LEVER
Easy to use

LONG LIFE VALVE HEAD
Increased endurance
(for more details see opposite)

CHROME-PLATED BRASS BODY

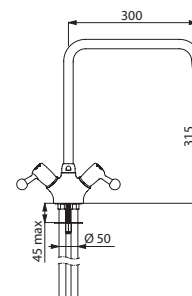


Deck-mounted single hole mixer **5610**

Deck-mounted single hole mixer - 100 lpm



- **Swivelling, tubular spout** Ø 22mm H. 315mm L. 300mm.
- Star-shaped, brass flow straightener.
- **Water-free, guided valve heads with reinforced mechanisms.**
- **Shock-resistant, ergonomic ball levers.**
- **Flow rate 100 lpm** at 3 bar, suitable for plunge sinks.
- Full flow rate achieved within **½ turn.**
- **Spout with smooth interior.**
- Chrome-plated brass body and spout.
- Soldered copper pipe water inlets.
- Reinforced fixing.
- 10-year warranty.



5610

Deck-mounted single hole mixer	5610
--------------------------------	------



Single hole mixer with extension column **5612**

Stainless steel SXS electronic hand washbasin **184320** - Wall-mounted paper towel dispenser **510601S**

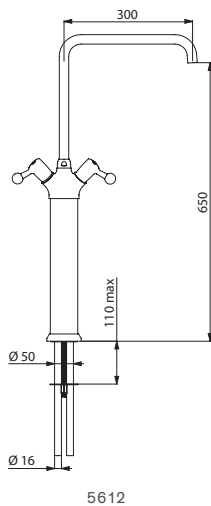
Deck-mounted single hole mixer - 100 lpm

Mixer with extension column



- **Swivelling, tubular spout** Ø 22mm H. 650mm L. 300mm.
- Star-shaped, brass flow straightener.
- **Water-free, guided valve heads with reinforced mechanisms.**
- **Shock-resistant, ergonomic ball levers.**
- **Flow rate 100 lpm** at 3 bar.
- Full flow rate achieved within **½ turn.**
- **Spout with smooth interior.**
- Chrome-plated brass body and spout.
- Soldered copper pipe water inlets.
- Reinforced fixing.
- 10-year warranty.

This model is ideal for installation on stove tops.



5612

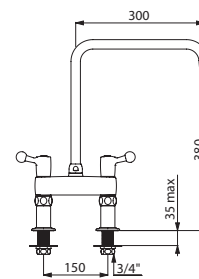
Deck-mounted single hole mixer with extension column 5612

Deck-mounted twin hole mixer - 100 lpm

Mixer on pillar mounts



- Deck-mounted mixer, M³/₄" with 150mm centres.
- **Swivelling, tubular spout** Ø 22mm H. 380mm L. 300mm.
- Star-shaped, brass flow straightener.
- **Water-free, guided valve heads with reinforced mechanisms.**
- **Shock-resistant, ergonomic ball levers.**
- **Flow rate 100 lpm** at 3 bar, suitable for plunge sinks.
- Full flow rate achieved within **½ turn.**
- **Spout with smooth interior.**
- One-piece body and spout made from chrome-plated brass.
- Recessed inlets.
- Reinforced fixing.
- 10-year warranty.



5603

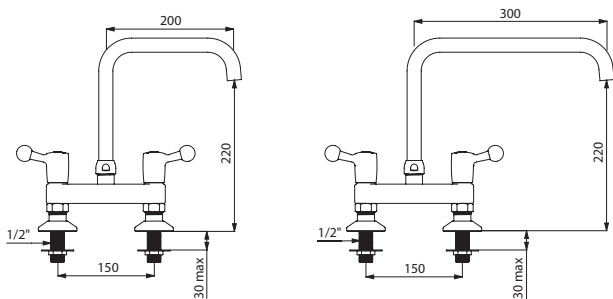
Deck-mounted twin hole mixer on pillar mounts 5603

Deck-mounted twin hole mixer - 60 lpm



- Deck-mounted mixer, M $\frac{1}{2}$ " with 150mm centres.
- **Swivelling, tubular spout** Ø 22mm with star-shaped flow straightener.
- **Water-free, guided valve heads with reinforced mechanisms.**
- **Shock-resistant, ergonomic ball levers.**
- **Flow rate 60 lpm** at 3 bar within the first 90°.
- Full flow rate 90 lpm at 3 bar.
- **Spout with smooth interior.**
- One-piece body and spout made from chrome-plated brass.
- Reinforced fixing.
- 10-year warranty.

Can be installed close to the splashback.

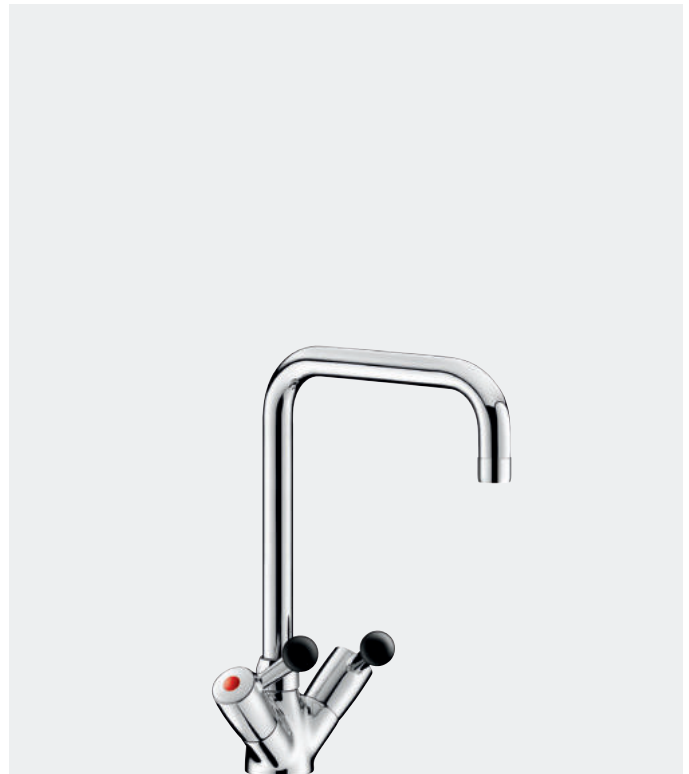


5641T2

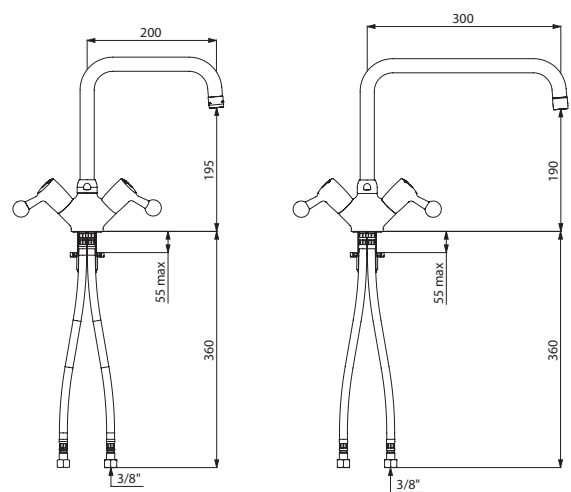
5641T3

Deck-mounted twin hole mixer	
Spout H. 220mm L. 200mm	5641T2
Spout H. 220mm L. 300mm	5641T3

Deck-mounted single hole mixer - 45 lpm



- **Swivelling, tubular spout** Ø 22mm with star-shaped flow straightener.
- **Water-free, guided valve heads with reinforced mechanisms.**
- **Shock-resistant, ergonomic ball levers.**
- **Flow rate 45 lpm** at 3 bar.
- Full flow rate within the first 90°.
- **Spout with smooth interior.**
- Chrome-plated brass body and spout.
- F $\frac{3}{8}$ " PEX flexibles.
- Reinforced fixing via 2 stainless steel rods.
- 10-year warranty.



5640T2

5640T3

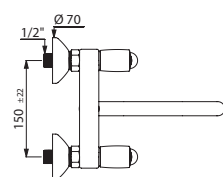
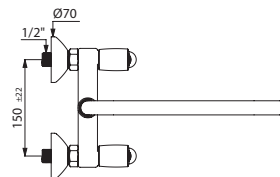
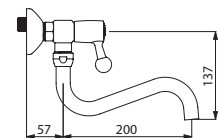
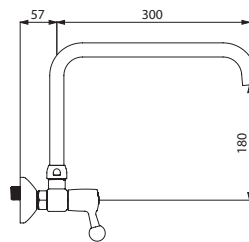
Deck-mounted single hole mixer	
Spout H. 195mm L. 200mm	5640T2
Spout H. 190mm L. 300mm	5640T3

Wall-mounted twin hole mixer - 60 lpm

With swivelling, tubular spout



- **Swivelling, tubular spout** Ø 22mm with star-shaped flow straightener.
- **Water-free, guided valve heads with reinforced mechanisms.**
- **Shock-resistant, ergonomic ball levers.**
- **Flow rate 60 lpm** at 3 bar within the first 90°.
- Full flow rate 90 lpm at 3 bar.
- **Spout with smooth interior.**
- One-piece body and spout made from chrome-plated brass.
- M½" M¾" offset connectors supplied with wall plates (see page 79).
- 10-year warranty.



5647T3

5645T2

Wall-mounted twin hole mixer	
Tubular over-spout L. 200mm	5647T2
Tubular over-spout L. 300mm	5647T3
Tubular under-spout L. 200mm	5645T2



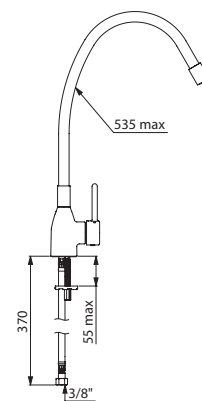
Single hole mixer with self-supporting flexible **2526T2**

Deck-mounted single hole mixer

With self-supporting flexible hose



- **Flexible swivelling spout** with hygienic flow straightener.
- **Ø 35mm cartridge.**
- **Flow rate 9 lpm** at 3 bar.
- **Spout with smooth interior.**
- Slimline control lever.
- Chrome-plated brass body.
- F³/₈" PEX flexibles.
- Reinforced fixings.
- 10-year warranty.



2526T2

Deck-mounted single hole mixer with self-supporting flexible	2526T2
--	--------

COMMERCIAL KITCHEN CONTROLS

SPECIFICALLY DESIGNED FOR PROFESSIONAL USE



Water-free valve head

DELABIE's Commercial Kitchen controls have a level of quality that is ideally suited to commercial catering: restaurants, snack bars, caterers, etc.

Increased durability and endurance

All DELABIE's Commercial Kitchen controls are quality-controlled and tested under extreme conditions to ensure their durability under stress.

Water-free valve head

Thanks to its exclusive quality features, DELABIE's water-free valve head, that is fitted to the Commercial Kitchen range, provides the **mechanism with enhanced durability** and a **smooth operation**: no sign of wear after **200,000 operations** (see below).

Robust spout

The Commercial Kitchen range of spouts for professional use, is provided with reinforced fixings for the base which ensures the spout is held in place correctly.

DELABIE's spouts are **1.25mm thick** ensuring better resistance to knocks from pans.

Maximum hygiene

Most of the spouts have a smooth interior which reduces the risk of bacterial development. The spouts are fitted with a star-shaped flow straightener which reduces scale build-up and ensures the quality of the water jet, maintaining a laminar flow over time.

Reliable

DELABIE's mixers and taps are fitted with **extremely reliable mechanisms**. They are made from **scale and corrosion resistant** materials.

The mechanisms will withstand the high temperatures in professional kitchens, which can reach 90°C.

Easy to use

Rapid-fill

The full flow rate is achieved within ½ turn of the valve head. Depending on the mixer or tap chosen, the flow rate can go up to 45 lpm at 3 bar.

Practical spouts

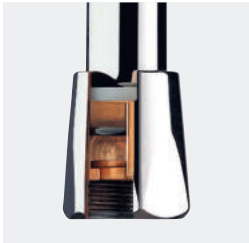
The spouts can **swivel** or they can be retracted (**telescopic spouts**), allowing large pans to be placed beneath for filling.

AND ALSO...

Easy to maintain

Spare parts are standardised so that maintenance staff can quickly and easily exchange them.

10-year warranty against any manufacturing defects.



Robust spout



EXCLUSIVE QUALITY FEATURES OF THE VALVE HEAD WITH CONTROL KNOB

STAINLESS STEEL FIXING SCREW
perfect tightening
will not corrode over time

ULTRAMID® ANTI-FRICTION WASHER
thermoplastic material eliminates metal/metal friction

**LONG LIFE FOOD GRADE GREASE
PRECISION MANUFACTURING**
reduced wear and smooth operation

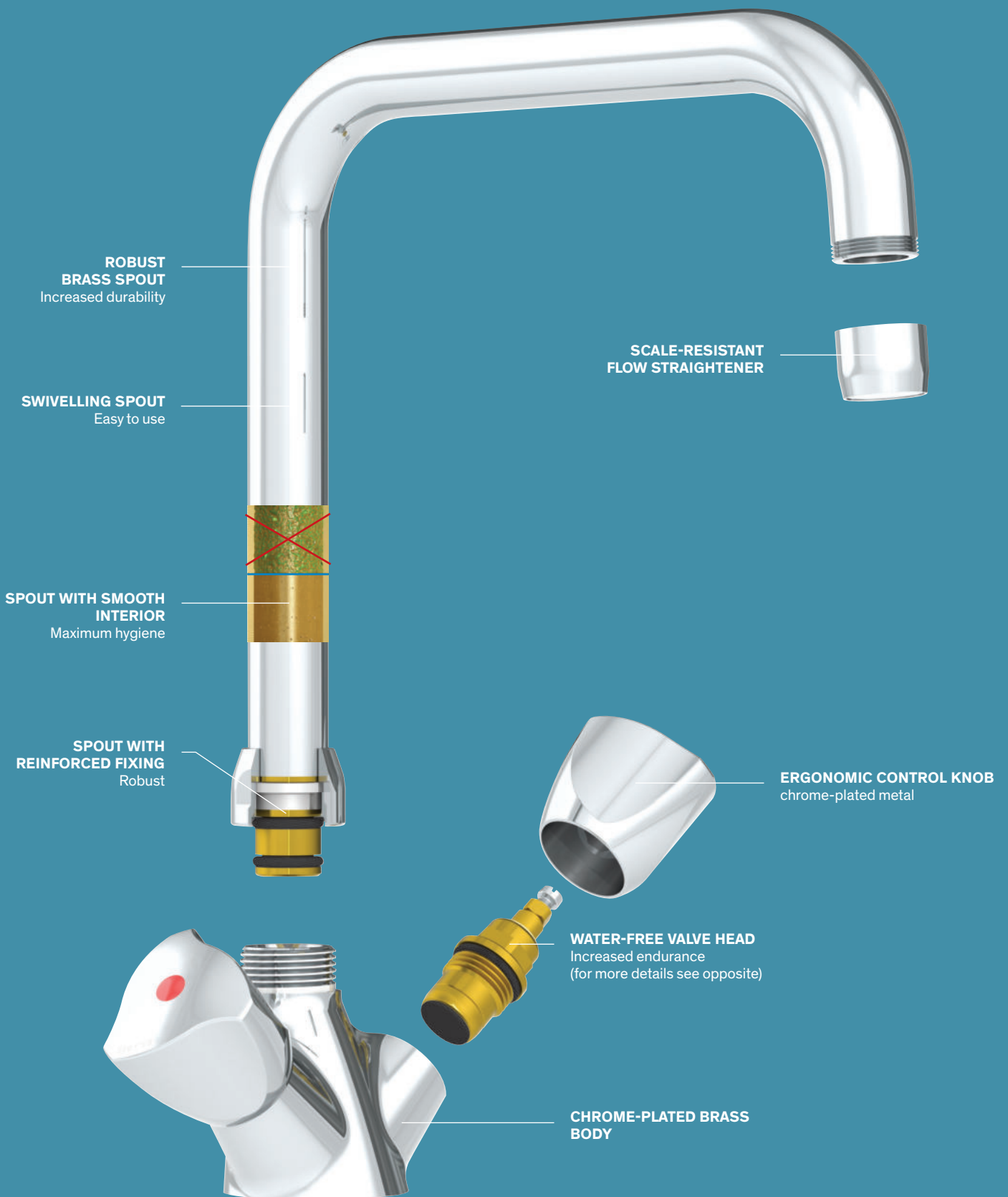
O-RING
allows mechanism to operate free from water



BRONZE CIRCLIP WITH LUGS
easy to remove

THREADED SHAFT AND LONG LENGTH NUT
improved guidance and valve movement

REINFORCED VALVE HEAD
EPDM: elastomer is highly resistant to shocks (90 shores)
recessed seat: minimal valve displacement and reduces vibrations (withstands impact of the seat)

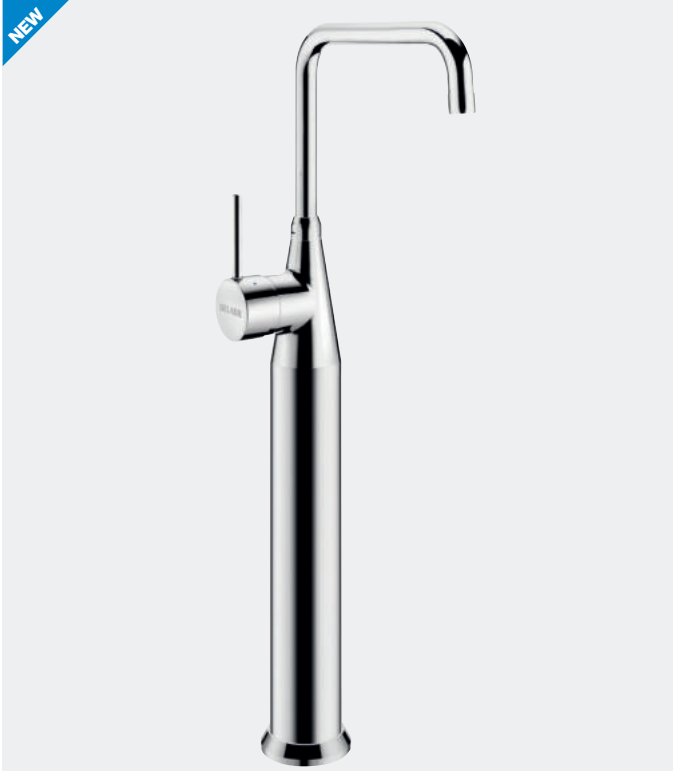




Deck-mounted single hole mixer **5650T3**

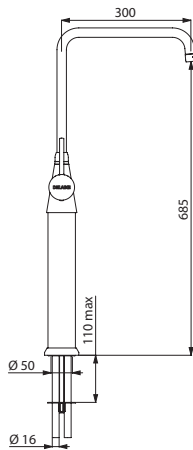
Deck-mounted single hole mixer - 60 lpm

Mixer with extension column



- **Swivelling, tubular spout** Ø 22mm H. 685mm L. 300mm.
- Ø 45mm ceramic cartridge.
- **Flow rate 60 lpm** at 3 bar.
- **Spout with smooth interior.**
- Slimline control lever.
- Body and spout in chrome-plated brass.
- Soldered copper pipe water inlets.
- Reinforced fixing.
- 10-year warranty.

This model is ideal for installation on stove tops.

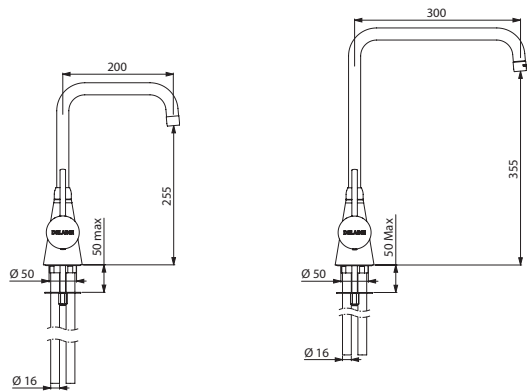


5652

Deck-mounted single hole mixer - 60 lpm



- **Swivelling, tubular spout** with hygienic flow straightener.
- Ø 45mm ceramic cartridge.
- **Flow rate 60 lpm** at 3 bar.
- **Spout with smooth interior.**
- Slimline control lever.
- Body and spout in chrome-plated brass.
- Soldered copper pipe water inlets.
- Reinforced fixing.
- 10-year warranty.



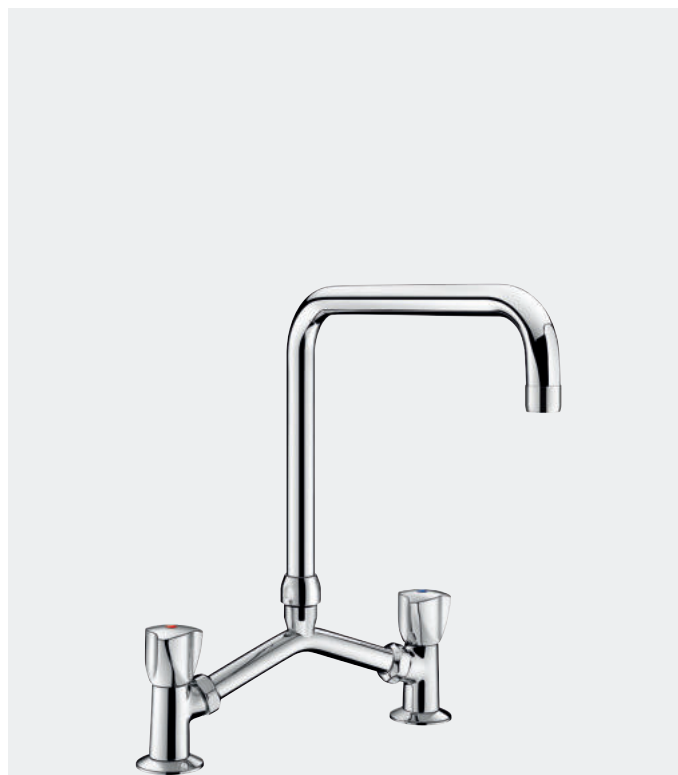
5650T2

5650T3

Deck-mounted single hole mixer with extension column	5652
--	-------------

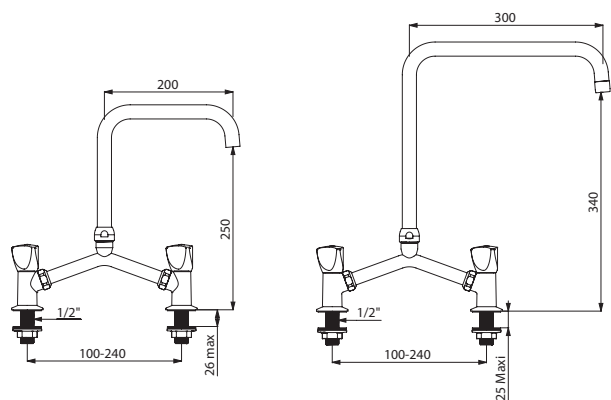
Deck-mounted single hole mixer	
H. 255mm L. 200mm	5650T2
H. 355mm L. 300mm	5650T3

Deck-mounted twin hole mixer - 45 lpm



- Deck-mounted mixer, M $\frac{1}{2}$ " with adjustable centres 100 - 240mm.
- **Swivelling, tubular spout** Ø 22mm with star-shaped flow straightener.
- **Water-free valve heads.**
- Control knobs.
- **Flow rate 45 lpm** at 3 bar.
- **Spout with smooth interior.**
- Chrome-plated brass body and spout.
- Reinforced fixing.
- 10-year warranty.

Can be installed close to the splashback.

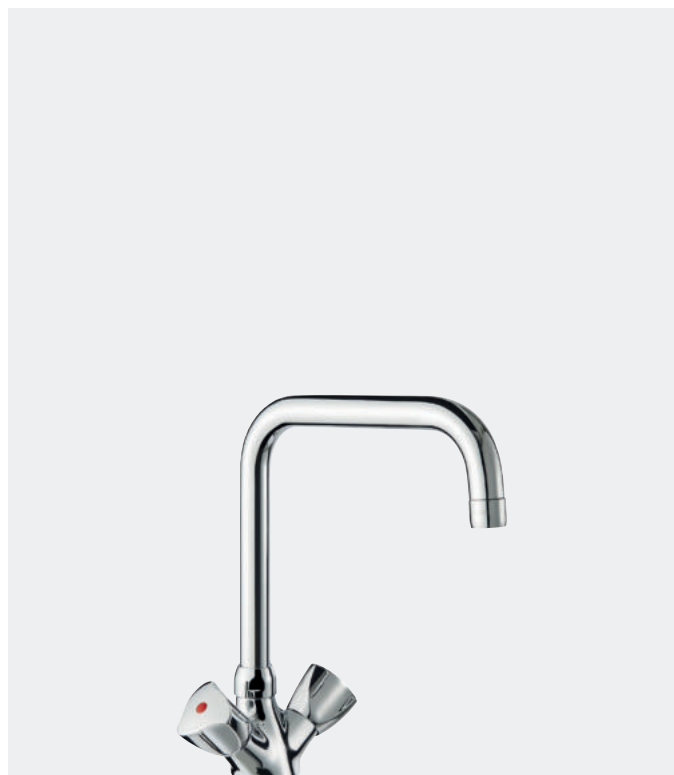


G65602

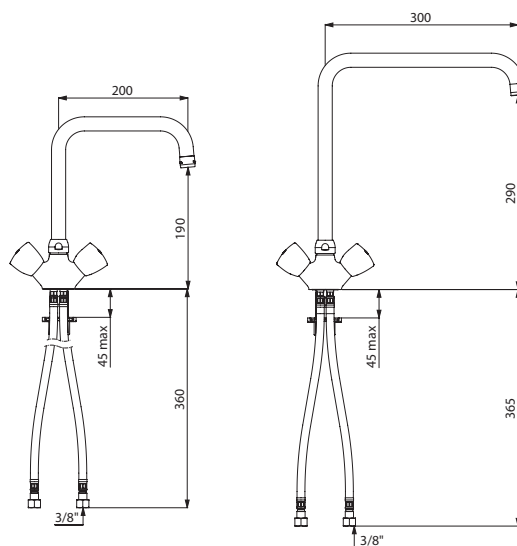
G65603

Deck-mounted twin hole mixer	
Spout H. 250mm L. 200mm	G65602
Spout H. 340mm L. 300mm	G65603

Deck-mounted single hole mixer - 45 lpm



- **Swivelling, tubular spout** Ø 22mm with star-shaped flow straightener.
- **Water-free valve heads.**
- Control knobs.
- **Flow rate 45 lpm** at 3 bar.
- **Spout with smooth interior.**
- Chrome-plated brass body and spout.
- F $\frac{3}{8}$ " PEX flexibles.
- Reinforced fixing via 2 stainless steel rods.
- 10-year warranty.



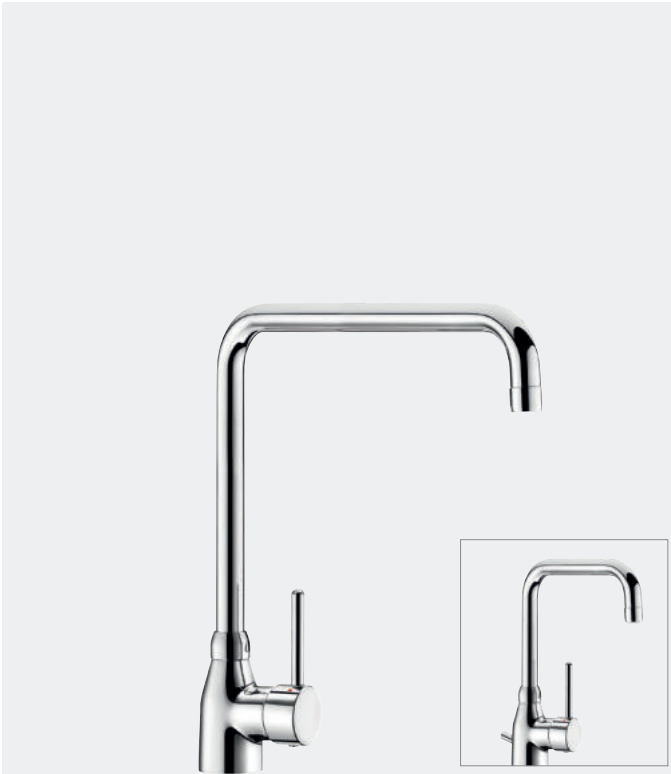
G66452

G66453

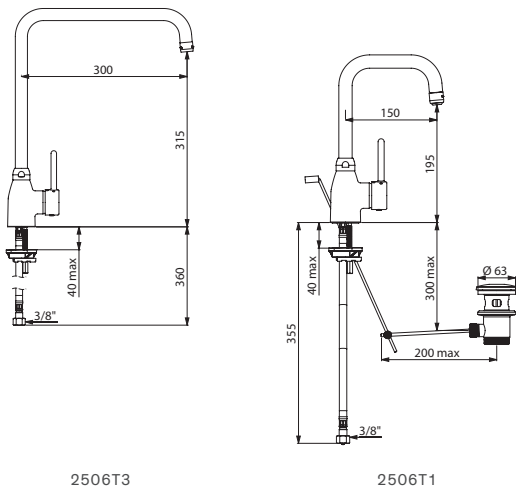
Deck-mounted single hole mixer	
Spout H. 190mm L. 200mm	G66452
Spout H. 290mm L. 300mm	G66453

Deck-mounted single hole mixer

With swivelling, tubular spout



- **Swivelling, tubular spout** Ø 22mm.
- Ø 35mm ceramic cartridge.
- Supplied with maximum temperature limiter, not installed.
- **Flow rate 20 lpm** at 3 bar (**limited to 5 lpm** at 3 bar on models 2506T1 & 25061T1, and **9 lpm** at 3 bar on model 2506T2).
- **Spout with smooth interior.**
- Slimline control lever.
- Chrome-plated brass body and spout.
- F³/₈" PEX flexibles.
- Reinforced fixing via 2 stainless steel rods.
- 10-year warranty.



2506T3

2506T1

Deck-mounted single hole mixer

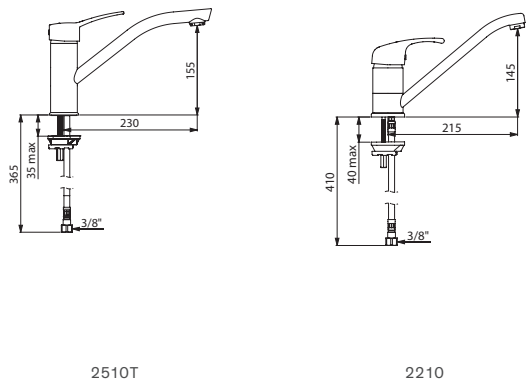
H. 315mm L. 300mm, without pop-up waste	2506T3
H. 220mm L. 200mm, without pop-up waste	2506T2
H. 195mm L. 150mm, without pop-up waste	25061T1
H. 195mm L. 150mm, with pop-up waste 1¼" in brass	2506T1

Deck-mounted single hole mixer - 9 lpm

With swivelling, tubular spout



- **Swivelling spout** with hygienic flow straightener.
- Ø 40mm ceramic cartridge.
- Pre-set maximum **temperature limiter**.
- **Flow rate limited to 9 lpm** at 3 bar.
- **Body and spout with smooth interiors.**
- F³/₈" PEX flexibles.
- Reinforced fixing via 2 stainless steel rods.
- 10-year warranty.



2510T

2210

Deck-mounted single hole mixer H. 155mm L. 230mm

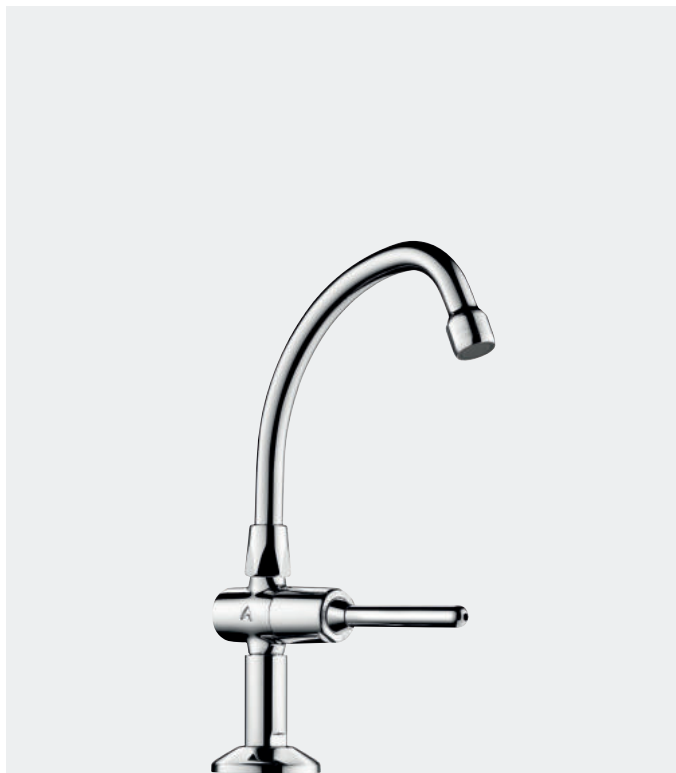
Sculptured lever	2510
Solid lever	2510T
Hygiene lever L. 200mm	2510L

Deck-mounted single hole mixer H. 145mm L. 215mm

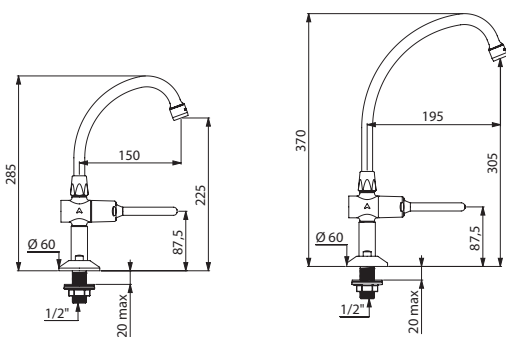
Sculptured lever	2210
Hygiene lever L. 200mm	2210L

TEMPOSTOP time flow pillar tap

With swan neck spout



- Time flow tap **with lever control**.
- **Swivelling, swan neck spout**.
- Scale-resistant flow straightener pre-set at 3 lpm.
- **Adjustable flow rate**.
- **Automatic timed shut-off ~3 seconds** (7 or 15 seconds available on request).
- Reinforced fixing via back nut.
- 10-year warranty.



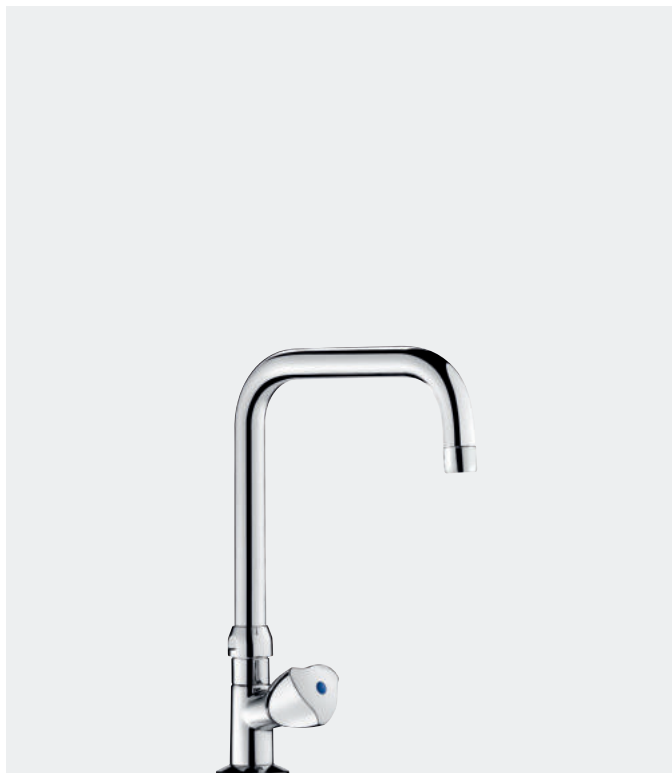
737152

737202

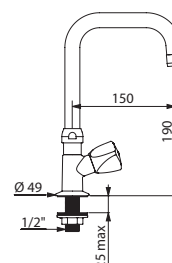
TEMPOSTOP pillar tap	
Spout H. 225mm L. 150mm	737152
Spout H. 305mm L. 195mm	737202

Pillar tap

With swivelling, tubular spout H. 190mm



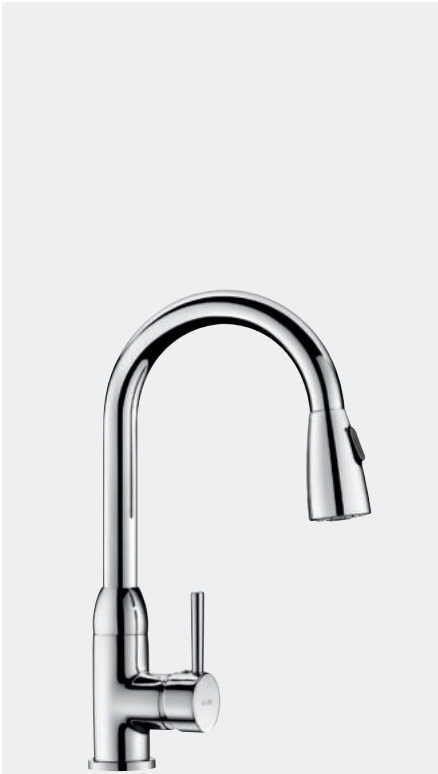
- **Swivelling, tubular spout** Ø 22mm H. 190mm L. 150mm.
- Scale-resistant flow straightener.
- **Water-free valve head**.
- Chrome-plated metal control knob.
- **Spout with smooth interior**.
- Chrome-plated brass body and spout.
- Reinforced fixing.
- 10-year warranty.



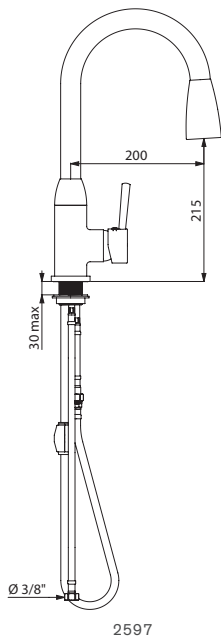
D2553

Pillar tap	
	D2553

Mixer with retracting hand spray
H. 215mm L. 200mm



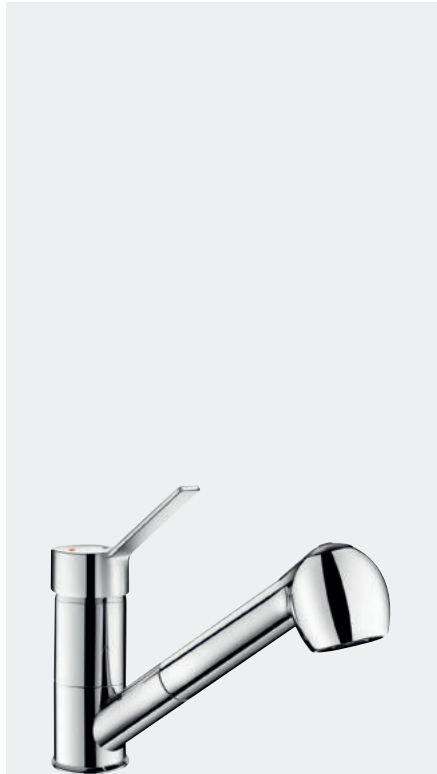
- Mixer **H. 215mm L. 200mm.**
- Retracting hand spray with 2 jet options: flow straightener/rain effect.
- **Swivelling, swan neck spout.**
- Ø 40mm ceramic cartridge.
- Pre-set maximum **temperature limiter.**
- **Flow rate 5 lpm** at 3 bar.
- Slimline control lever.
- Hand spray with Nylon flexible hose with non-return valve.
- F $\frac{3}{8}$ " PEX flexibles.
- Fixed via a back-nut.
- 10-year warranty.



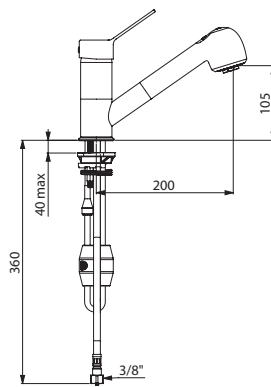
2597

Mixer with retracting hand spray H. 215mm L. 200mm	2597
Options: Wastes, flexible hose for hand sprays (see pages 78 - 79)	

Mixer with retracting hand spray
H. 105mm L. 200mm



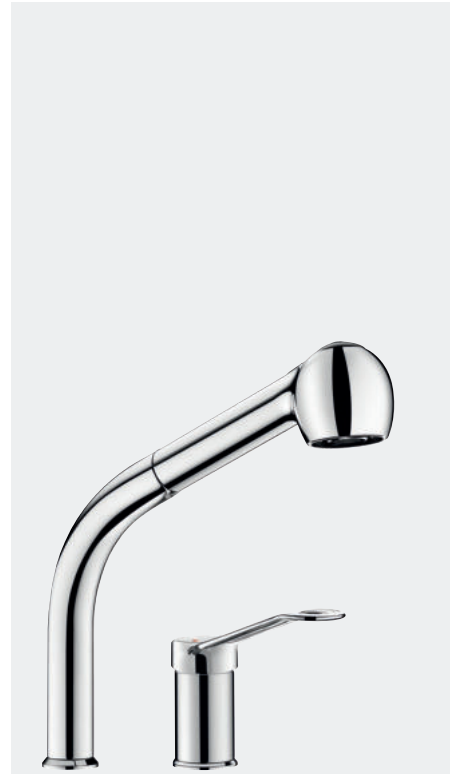
- Mixer **H. 105mm L. 200mm.**
- Retracting hand spray with 2 jet options: flow straightener/rain effect.
- **Swivelling, straight spout support.**
- Ø 40mm ceramic cartridge.
- Pre-set maximum **temperature limiter.**
- **Flow rate 7 lpm** at 3 bar.
- Solid control lever.
- Hand spray with transparent polyurethane flexible hose.
- F $\frac{3}{8}$ " PEX flexibles.
- Reinforced fixing via 2 stainless steel rods.
- 10-year warranty.



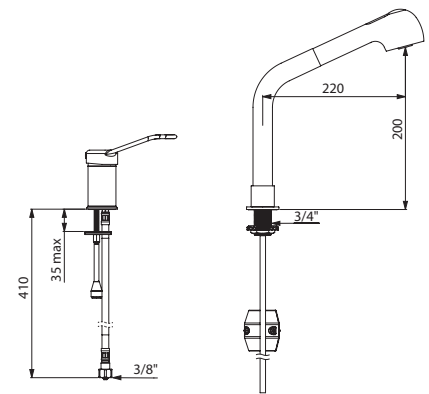
2211

Mixer with retracting hand spray H. 105mm L. 200mm	2211
Option: Wastes (see page 79)	

Mixer and column set with retracting hand spray



- Swivelling column **H. 200mm L. 220mm.**
- Retracting hand spray with 2 jet options: flow straightener/rain effect.
- Ø 35mm ceramic cartridge.
- Pre-set maximum **temperature limiter.**
- **Flow rate 7 lpm** at 3 bar.
- Sculptured control lever.
- Hand spray with transparent polyurethane flexible hose.
- F $\frac{3}{8}$ " PEX flexibles.
- Reinforced fixing via 2 stainless steel rods.
- 10-year warranty.



2599

Mixer with retracting hand spray	
Mixer and column	2599
Mixer only	2542
Column only	1316
Option: Wastes (see page 79)	

COMMERCIAL KITCHEN CONTROLS



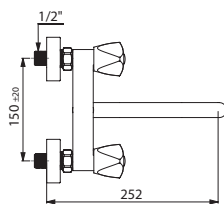
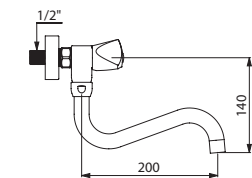
Wall-mounted twin hole mixer 5445T2S

Wall-mounted twin hole mixer - 45 lpm

With swivelling, tubular spout



- **Swivelling, tubular** under spout Ø 22mm L. 200mm with brass star-shaped flow straightener.
- Ceramic valve heads.
- **Flow rate 45 lpm** at 3 bar.
- **Spout with smooth interior.**
- Chrome-plated brass body and spout.
- Supplied with 2 offset wall connectors M1½" M¾" (see page 79).
- 10-year warranty.



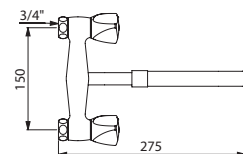
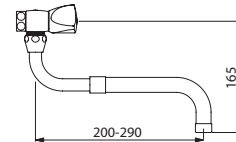
5445T2S

Wall-mounted twin hole mixer - 30 lpm

With telescopic, swivelling spout



- **Telescopic spout** Ø 22mm L. 200 - 290mm with star-shaped flow straightener.
- **Water-free valve heads.**
- Control knobs.
- **Flow rate 30 lpm** at 3 bar.
- Chrome-plated brass body and spout.
- Mixer can be installed with the spout above or below.
- Wall connectors not included.
- 10-year warranty.



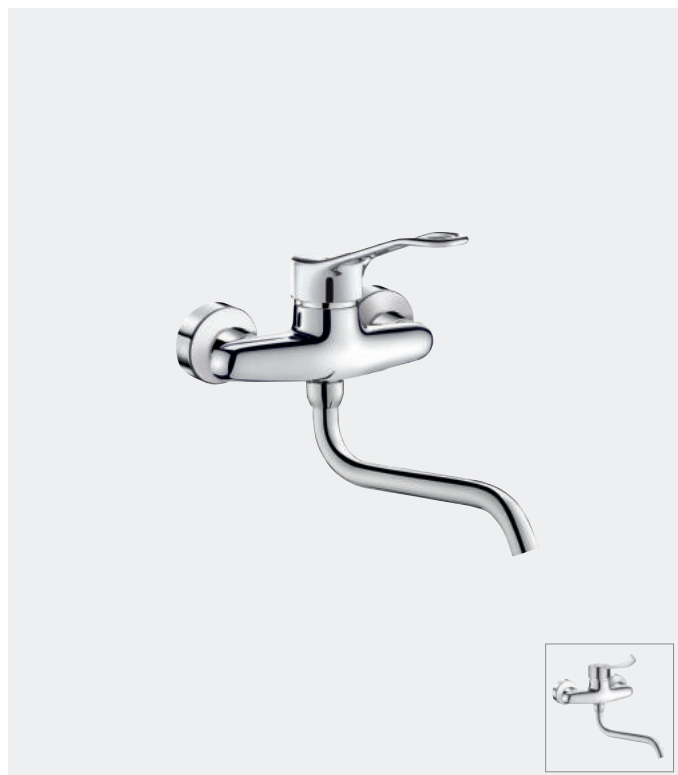
G6679

Wall-mounted twin hole mixer with tubular under spout	5445T2S
---	---------

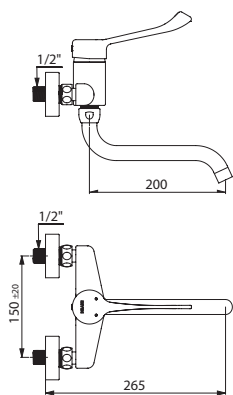
Wall-mounted twin hole mixer with telescopic under spout	G6679
Option: Wall-mounted connectors (see page 79)	

Wall-mounted twin hole mixer

With swivelling, tubular under spout



- **Swivelling, tubular under spout** Ø 22mm, L.200mm with brass star-shaped flow straightener.
- Ø 40mm ceramic cartridge.
- Pre-set maximum **temperature limiter**.
- **Spout with smooth interior**.
- **Flow rate 26 lpm** at 3 bar.
- M½" M¾" offset connectors supplied with wall plates (see page 79).
- 10-year warranty.

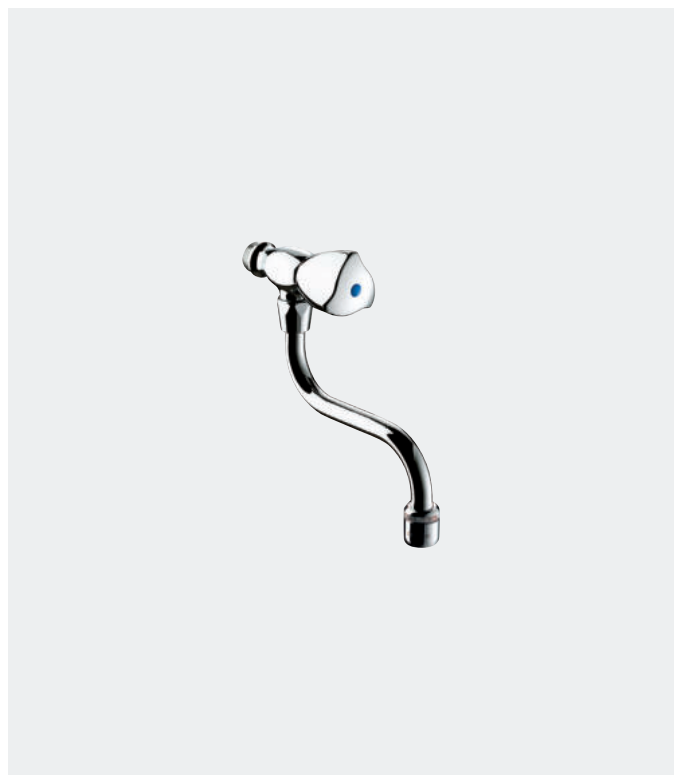


2519LS

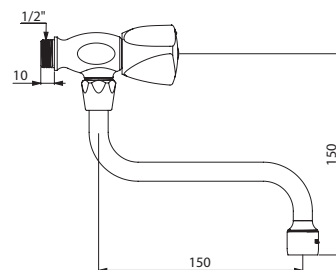
Wall-mounted twin hole mixer	
Sculptured control lever	2519S
Hygiene control lever L. 150mm	2519LS
Option: Wastes (see page 79)	

Wall-mounted single hole tap

With swivelling, tubular under spout



- **Swivelling, tubular under spout** Ø 22mm.
- Scale-resistant flow straightener regulated at 3 lpm.
- **Water-free valve head**.
- Chrome-plated metal control knob.
- Chrome-plated brass body.
- M½".
- 10-year warranty.



D275150

Wall-mounted single hole tap	
Spout L. 150mm	D275150
Spout L. 200mm	D275200



Non-contact controls

ELECTRONIC
CONTROLS
52



KNEE OR
FOOT-OPERATED
CONTROLS
62



SPOUTS
63





HYGIENE AND INFECTION CONTROL

Opens/closes automatically with no manual contact

DELABIE's electronic mixers and taps are operated by active infrared detection. Flow opens when the detector senses hands and shuts off automatically when hands are removed from the detection zone.

No manual contact prevents the spread of germs by hand.

Anti-bacterial duty flush programme

If a mixer or tap is not used for prolonged periods, water stagnates in the pipework, favouring the development of bacteria (isolated points-of-use, facilities closed during holidays, etc.). DELABIE's electronic mixers and taps have a duty flush programme.

An automatic flush takes places for approximately 60 seconds every 24 hours after the last use (can be programmed on some models).

Reduced-stagnation solenoid valve

Most solenoid valves are fitted with a rubber membrane behind which water stagnates and is not renewed. This can lead to bacterial proliferation. DELABIE has developed a technology without a membrane (patented system). With this piston-operated solenoid valve, water is drained and renewed with every use which reduces bacterial development.

The solenoid valves' self-cleaning system with a calibrated groove reduces the build-up of dirt. Furthermore, its slow closure eliminates water-hammer.

Hygienic flow straightener

Unlike conventional aerators, DELABIE's flow straighteners are specially made from Hostaform®, a material that is highly scale-resistant (build-up of scale is 10 times slower). They minimise water retention and the build-up of dirt, and prevent the spread of germs.

PEX flexible hoses

These flexible hoses will withstand the thermal and chemical shocks undertaken in public facilities for preventative or curative treatments against the development of bacteria.

90% WATER AND ENERGY SAVINGS

Water savings

Compared to conventional mixers and taps, DELABIE's electronic mixers and taps can offer maximum water savings. They ensure the manager's water bills can be reduced whilst preserving user comfort.

- **Automatic shut-off and split delivery**

The mixer or tap shuts off automatically when hands are removed from the detection zone.

This removes the risk of waste through negligence. The anti-blocking security system activates to prevent the mixer or tap from flowing continuously. The flow time is reduced to the necessary minimum (wetting, rinsing).

- **Flow rate regulated at 3 lpm**

DELABIE's electronic mixers and taps are regulated at 3 lpm. The flow rate remains constant regardless of pressure variations in the system. The flow rate can be adjusted from 1.5 - 6 lpm.

Energy savings

Electronic mixers and taps do not require much energy to operate. DELABIE has chosen infrared pulse technology, a low-power consumption solution.

The infrared beam is emitted intermittently saving energy while ensuring effective detection. Battery-operated models have an average independent lifespan of 350,000 cycles (i.e. 3 to 6 years) depending on the frequency of use. The Lithium batteries are widely available, affordable and recyclable.

The significant hot water savings provided by DELABIE's mixers and taps also result in energy savings.

Environmental labels

The water and energy saving performance of DELABIE's electronic controls means that the buildings achieve the highest performance standards for international rating schemes such as BREEAM, LEED or ESTIDAMA.



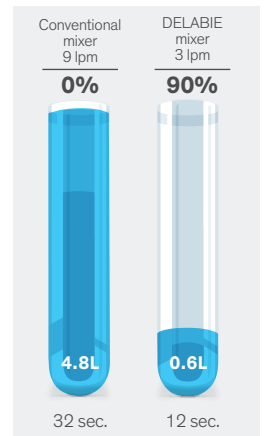
Hygiene and infection control



Reduced-stagnation solenoid valve



No manual contact



Water saving per use

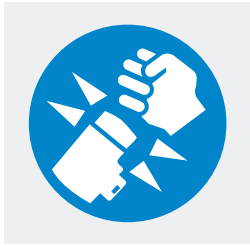
NON-CONTACT CONTROLS

COMPARISONS OF WATER CONSUMPTION

Comparison between a conventional mixer and a DELABIE electronic mixer

Flow rate	Wetting	Soaping	Rinsing	Water consumption
9L	5 sec.	20 sec.	7 sec.	4.8L 32 sec.
3L	5 sec.	7 sec.	7 sec.	0.6L 12 sec.

SPECIFICALLY DESIGNED FOR PROFESSIONAL CATERING



Vandal-resistant



Reinforced fixings



Diagnostic LED



Simple to maintain



Resistant to intensive use and vandalism

DELABIE's electronic mixers and taps have been specifically designed to withstand intensive use as well as voluntary and involuntary vandalism.

The mixer and tap bodies are made from chrome-plated metal, fitted with **shock-resistant** mechanisms and sensors. The **reinforced fixings** will stand up to intensive use. **Streamlined designs** discourage attempts to pull them off.

To prevent abuse and waste, all models are fitted with a system to avoid blocking during flow. For areas that require tamperproof installations, there are recessed and cross wall versions which have mechanisms that cannot be accessed by the user.

Easy to install

DELABIE's products are **easy to install and adjustments are kept to a minimum** to save time during installation.

• Independent electronic control unit:

BINOPTIC, TEMPOMATIC 2 and PRO models

Depending on the model, there is an option to adjust the presence detection distance, to change the operating mode (ON/OFF or automatic) and change the duty flush settings.

The battery-operated models work autonomously for 3 to 6 years.

The electronic control units are waterproof (IP65) with diagnostic LEDs to facilitate servicing.

• Electronic unit and solenoid valve integrated in the body of the mixer/tap*:

TEMPOMATIC 3 and 4 models

Can be installed on any isolated point-of-use, for new builds as well as renovation.

- 6V Lithium batteries*:

There are no electrical connections required. Simply connect the flexibles to the supply pipes in the same way as for a conventional mixer/tap. No special adjustment is necessary; the mixer/tap is ready to operate independently for 3 to 6 years. A red LED will flash for 15 days to indicate that the battery life is low. The battery can be changed without shutting off the water supply or removing the mixer/tap.

- 230/6V mains (plug-in or recessed)* :

Simply connect the flexibles to the supply pipes and connect the electrical supply to the mixer/tap via a plug and socket or recessed connection close to the basin. This does not require any specific maintenance (no battery changes).

* Depending on the model

Reliable presence detection

DELABIE has chosen the most reliable detection system: **infrared active pulse**.

It can't be adjusted or affected by variations in light levels. On models with a sensor at the end of the spout, the infrared beam **adapts automatically**, to ensure that the hands are detected in any position.

Minimal servicing and simple to maintain

The **scale-resistant** solutions (flow straighteners, mechanisms) and the filters ensure minimal servicing. Maintenance is easier. **The spare parts are standardised** to ensure quick and easy replacement by the maintenance staff.

The electronic control units are fitted with LEDs to **aid diagnostic checks**, and **access** to the components (batteries, solenoid valve) is **direct**, without having to remove the mixer/tap.

Technical characteristics

Operating pressure	1 - 5 bar, 3 bar recommended
Pressure differential HW/CW	$\Delta P < 1$ bar
Electrical supply*	230V / 50Hz class II (without earth)
Electronic unit*	Independent, waterproof IP65
6V Lithium batteries*	123 or 223 standard batteries Average lifespan ~350,000 cycles or 3 - 6 years
Duty flush programme* can be adjusted	60 seconds 12 or 24 hours after the last use (or OFF)
Automatic shut-off in event of negligence	Prevents blocking in the open position
Temperature limiter	Can be adjusted
HW supply	55°C max
Recommended installation height for wall-mounted taps/mixers	110 - 200mm above top of bowl
CE	Complies with European directives CEM 2014/30/UE and BT 2014/35/UE

* Depending on the model

10-year warranty against any manufacturing defects.

DESIGN

DELABIE's products, known for their endurance and reliability, have a timeless design. The diversity of the product range fits in perfectly with any commercial installation.

In an office building or a shopping centre, it is paramount that the product design fits in with its surroundings.

Aesthetic products are subject to less vandalism as they are better respected.

The smooth shape of the taps reduces the build-up of dirt and facilitates the cleaning.

Easy but secure access to the control mechanisms provides easy maintenance.



SENSOR AT THE END OF THE SPOUT
Hands can be detected in any position

6V LITHIUM BATTERIES
Average lifespan 3 to 6 years (~350,000 cycles).
Replace without removing the mixer/tap
or shutting off the water

**INTEGRATED ELECTRONIC
UNIT PROTECTED
BY A WATERPROOF CAP**
Easy to maintain

REDUCED-STAGNATION SOLENOID VALVE
(patented)
Reduces build-up of dirt and bacterial development.
Slow closure with no water hammer

**DIRECT ACCESS TO BATTERIES
AND SOLENOID VALVE**
Easy to maintain

**MAXIMUM TEMPERATURE
LIMITER CAN BE ADJUSTED**
Anti-scalding safety

**SCALE-RESISTANT FLOW
STRAIGHTENER**
Minimal servicing

**3 LPM
WITH ADJUSTABLE
FLOW RATE**
Water savings

**PROGRESSIVE TEMPERATURE
CONTROL LEVER**
Improved comfort

TEMPOMATIC 4

Electronic mixer and tap, battery or mains operated



- 230/6V mains supply or integrated 123 6V Lithium batteries.
- Reduced-stagnation solenoid valve and electronic unit integrated into the body of the mixer/tap.
- Flow rate pre-set at 3 lpm at 3 bar, can be adjusted from 1.5 - 6 lpm.
- Scale-resistant flow straightener.
- Duty flush (~60 seconds every 24 hours after last use).
- Active, infrared presence detection, sensor at the end of the spout optimises detection.
- Chrome-plated metal body.
- Cap fixed in place by 2 concealed screws.
- PEX flexibles with filters and non-return valves.
- Reinforced fixing via 2 stainless steel rods.
- Anti-blocking security.
- Side temperature control with adjustable maximum temperature limiter on the mixers.
- 10-year warranty.



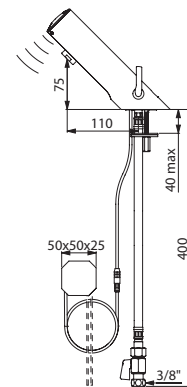
Standard lever



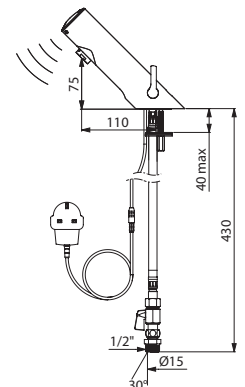
Long lever

TEMPOMATIC MIX 4 mixer	
Recessed mains supply	
With stopcocks, F $\frac{3}{8}$ "	490000
With stopcocks, Ø 15mm for compression fittings	49000015
Without stopcocks	490100
Plug-in mains supply	
With stopcocks, F $\frac{3}{8}$ ", European plug	490001
With stopcocks, Ø 15mm for compression fittings, British plug	49000115
Without stopcocks, European plug	490101
Battery-operated	
With stopcocks, F $\frac{3}{8}$ "	490006
With stopcocks, Ø 15mm for compression fittings	49000615
Without stopcocks	490106
TEMPOMATIC 4 tap	
Recessed mains supply	
With stopcock, F $\frac{3}{8}$ "	440000
With stopcock, Ø 15mm for compression fittings	44000015
Without stopcock	440100
Plug-in mains supply	
With stopcock, F $\frac{3}{8}$ ", European plug	440001
With stopcock, Ø 15mm for compression fittings, British plug	44000115
Without stopcock, European plug	440101
Battery-operated	
With stopcock, F $\frac{3}{8}$ "	440006
With stopcock, Ø 15mm for compression fittings	44000615
Without stopcock	440106

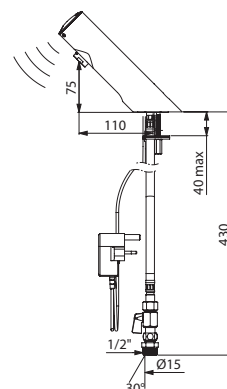
We recommend installing a TMV for taps (see page 86)
For long lever, please add LH after the reference



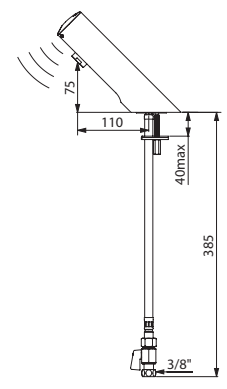
490000



49000115



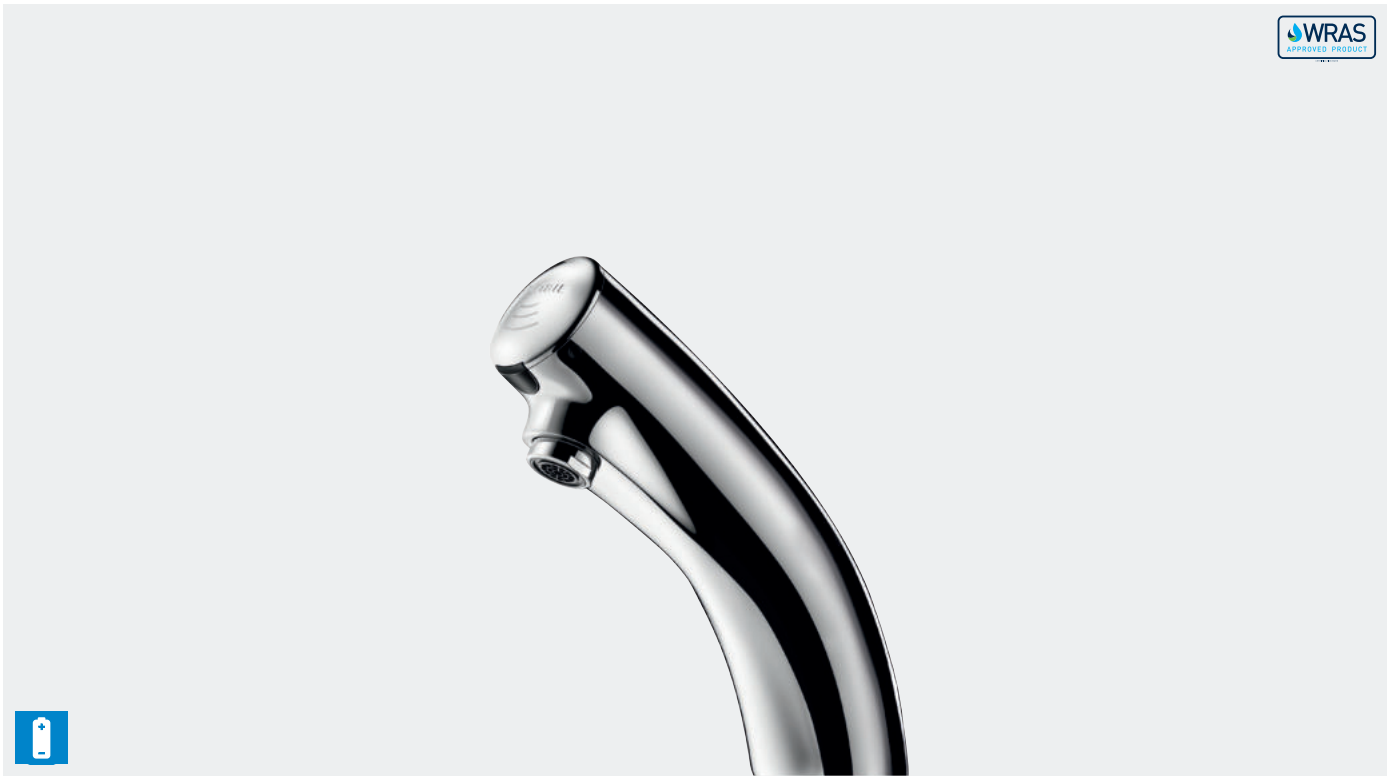
44000115



440006

TEMPOMATIC 3

Electronic mixer and tap with integrated battery



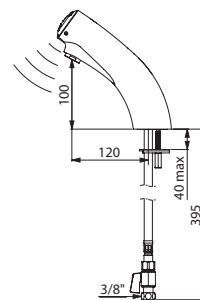
- **Battery-operated with integrated 223 6V Lithium battery.**
- **Reduced-stagnation solenoid valve and electronic unit integrated** into the body of the mixer/tap.
- **Flow rate pre-set at 3 lpm** at 3 bar, can be adjusted from 1.5 - 6 lpm.
- **Scale-resistant flow straightener.**
- **Duty flush** (~60 seconds every 24 hours after last use).
- Active, infrared presence detection, sensor at the end of the spout optimises detection.
- Chrome-plated solid brass body.
- Cap fixed in place by 2 concealed screws, with pictogram to identify the sensor easily.
- PEX flexibles with filters and non-return valves.
- Reinforced fixing via 2 stainless steel rods.
- Anti-blocking security.
- Side temperature control with adjustable maximum temperature limiter on the mixers.
- 10-year warranty.



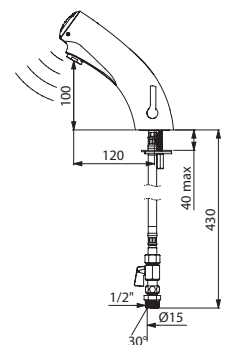
Standard lever



Long lever



442006



49200615

TEMPOMATIC MIX 3 mixer	
With stopcocks, F $\frac{3}{8}$ "	492006
With stopcocks, Ø 15mm for compression fittings	49200615
Without stopcocks	492106
TEMPOMATIC 3 tap	
With stopcock, F $\frac{3}{8}$ "	442006
With stopcock, Ø 15mm for compression fittings	44200615
Without stopcock	442106

We recommend installing a TMV for taps (see page 86)
For long lever, please add LH after the reference

TEMPOMATIC PRO

Electronic mixer and tap, battery or mains operated



- Independent IP65 electronic control unit.
- 230/12V mains supply with transformer or battery-operated with 123 6V Lithium batteries.
- Flow rate pre-set at 4 lpm at 3 bar, can be adjusted from 1.5 - 6 lpm.
- Scale-resistant flow straightener.
- Adjustable duty flush (pre-set flush ~60 seconds every 24 hours after last use).
- Shock-resistant infrared presence detection sensor.
- Chrome-plated brass body with reinforced fixing via 2 stainless steel rods.
- Swivelling spout with smooth interior (reduces bacterial development).
- Removable spout for cleaning/disinfection.
- PEX flexibles with filters and solenoid valves.
- Anti-blocking security.
- 10-year warranty.



Long lever

On the mixers:

- Side temperature control with adjustable maximum temperature limiter and long ergonomic lever.
- Solenoid valves are upstream of the mixing chamber.

Two shut-off options are possible with the mains versions:

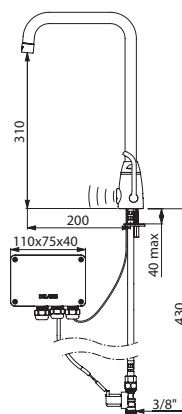
Standard mode: timed flow with automatic shut-off.

ON/OFF mode: user shuts off flow voluntarily or automatic shut-off after 30 minutes.

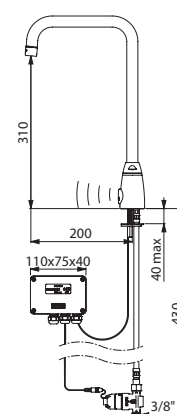
Thermal shocks are possible.

TEMPOMATIC MIX PRO mixer H. 310mm L. 200mm	
Mains supply	
M ³ / ₈ "	495253
Ø 15mm for compression fittings	49525315
6V Lithium battery-operated	
M ³ / ₈ "	495257
Ø 15mm for compression fittings	49525715
TEMPOMATIC PRO tap H. 310mm L. 200mm	
Mains supply	
M ³ / ₈ "	445253
Ø 15mm for compression fittings	44525315
6V Lithium battery-operated	
M ³ / ₈ "	445257
Ø 15mm for compression fittings	44525715

We recommend installing a TMV for taps (see page 86)
For long lever, please add LH after the reference



495253



445257

BINOPTIC

Electronic mixer and tap, battery or mains operated



- Independent IP65 electronic control unit.
- 230/12V mains supply with transformer or battery-operated with 123 6V Lithium batteries.
- Flow rate pre-set at 3 lpm at 3 bar, can be adjusted from 1.5 - 6 lpm.
- Scale-resistant flow straightener.
- Adjustable duty flush (pre-set flush ~60 seconds every 24 hours after last use).
- Active infrared presence detection, sensor at the end of the spout optimises detection.
- Chrome-plated brass body.
- Spout with smooth interior and low water volume (reduces bacterial development).
- PEX flexibles with filters and solenoid valves.
- Reinforced fixing via 2 stainless steel rods.
- Anti-blocking security.
- Side temperature control with adjustable maximum temperature limiter and long lever on the mixers.
- 10-year warranty.

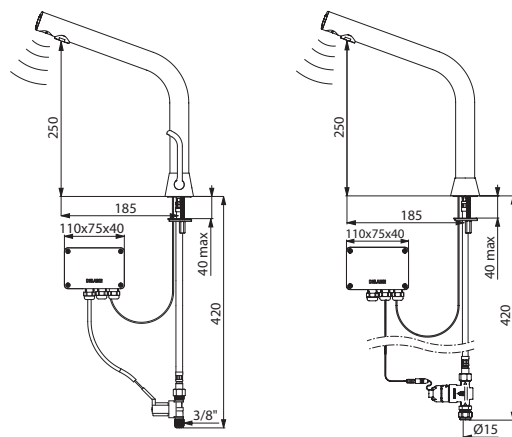
Two drop heights available depending on the choice of basin:
 H. 170mm for semi-recessed washbasins.
 H. 250mm for countertop washbasins.



Long lever

BINOPTIC MIX mixers	
H. 170mm	
230/12V mains supply, M $\frac{3}{8}$ "	388MCHLH
230/12V mains supply, Ø 15mm for compression fittings	388MCHLH15
6V Lithium battery-operated, M $\frac{3}{8}$ "	488MCHLH
6V Lithium battery-operated, Ø 15mm for compression fittings	488MCHLH15
H. 250mm	
230/12V mains supply, M $\frac{3}{8}$ "	398MCHLH
230/12V mains supply, Ø 15mm for compression fittings	398MCHLH15
6V Lithium battery-operated, M $\frac{3}{8}$ "	498MCHLH
6V Lithium battery-operated, Ø 15mm for compression fittings	498MCHLH15
BINOPTIC tap	
H. 170mm	
230/12V mains supply, M $\frac{3}{8}$ "	388015
230/12V mains supply, Ø 15mm for compression fittings	38801515
6V Lithium battery-operated, M $\frac{3}{8}$ "	488015
6V Lithium battery-operated, Ø 15mm for compression fittings	48801515
H. 250mm	
230/12V mains supply, M $\frac{3}{8}$ "	398015
230/12V mains supply, Ø 15mm for compression fittings	39801515
6V Lithium battery-operated, M $\frac{3}{8}$ "	498015
6V Lithium battery-operated, Ø 15mm for compression fittings	49801515

We recommend installing a TMV for taps (see page 86)

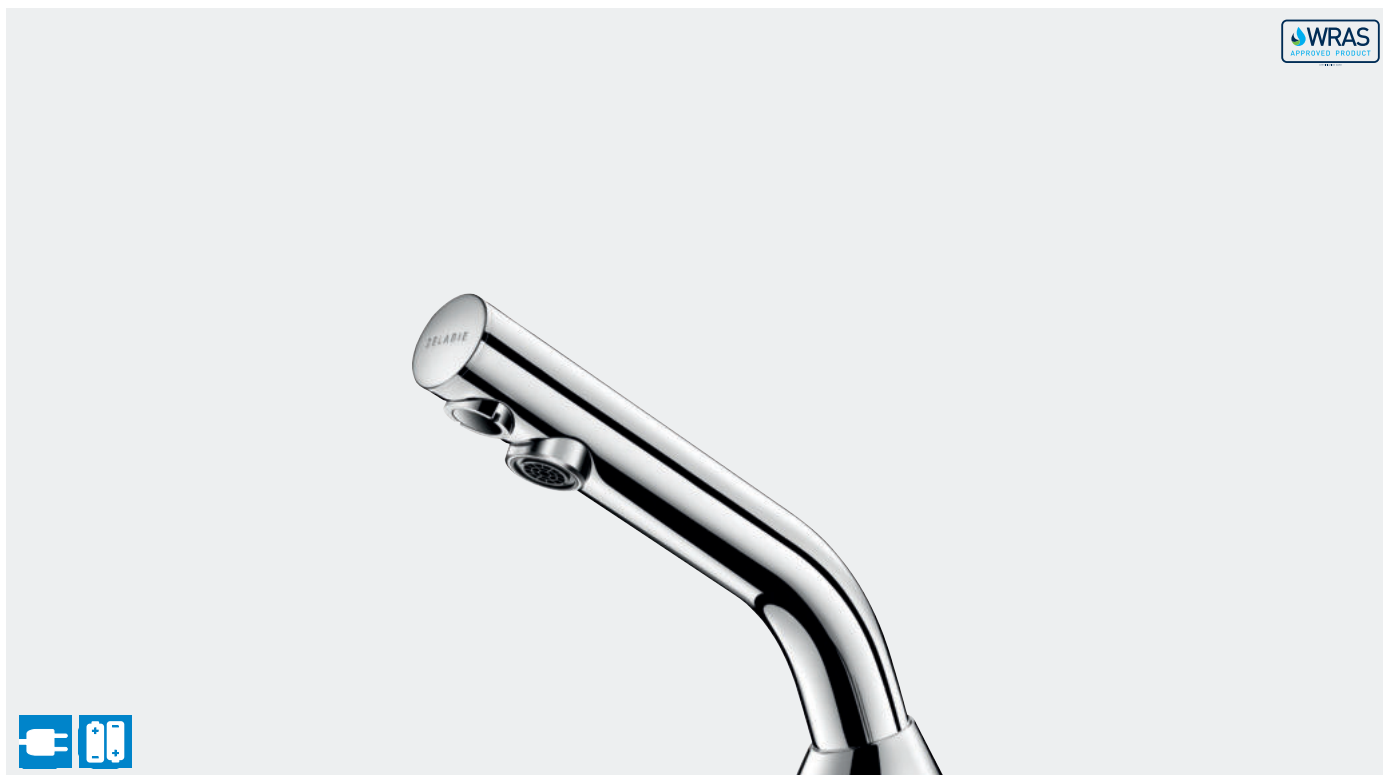


398MCHLH

49801515

BINOPTIC

Electronic mixer or tap, battery or mains operated



- Independent IP65 electronic control unit.
- 230/12V mains supply with transformer or 123 6V Lithium batteries.
- Flow rate pre-set at 3 lpm at 3 bar, can be adjusted from 1.5 - 6 lpm.
- Scale-resistant flow straightener.
- Adjustable duty flush (pre-set flush ~60 seconds every 24 hours after last use).
- Active, infrared presence detection, sensor at the end of the spout optimises detection.
- Chrome-plated brass body.
- Spout with smooth interior and low water volume (reduces bacterial development).
- PEX flexibles with filters and solenoid valves.
- Reinforced fixing via 2 stainless steel rods.
- Anti-blocking security.
- Side temperature control with adjustable maximum temperature limiter on the mixers.
- 10-year warranty.



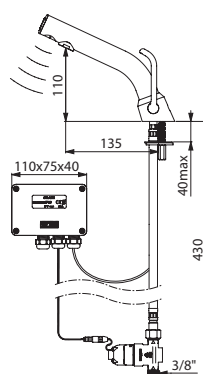
Standard lever



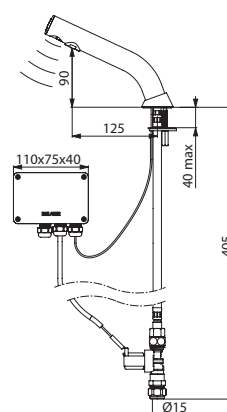
Long lever

BINOPTIC MIX mixer	
Mains supply	
230/12V mains supply, M $\frac{3}{8}$ "	378MCH
230/12V mains supply, Ø 15mm for compression fittings	378MCH15
Battery-operated	
6V Lithium battery-operated, M $\frac{3}{8}$ "	478MCH
6V Lithium battery-operated, Ø 15mm for compression fittings	478MCH15
BINOPTIC tap	
Mains supply	
230/12V mains supply, M $\frac{3}{8}$ "	378015
230/12V mains supply, Ø 15mm for compression fittings	37801515
Battery-operated	
6V Lithium battery-operated, M $\frac{3}{8}$ "	478015
6V Lithium battery-operated, Ø 15mm for compression fittings	47801515

[We recommend installing a TMV for taps \(see page 86\)](#)
 For long lever, please add LH after the reference



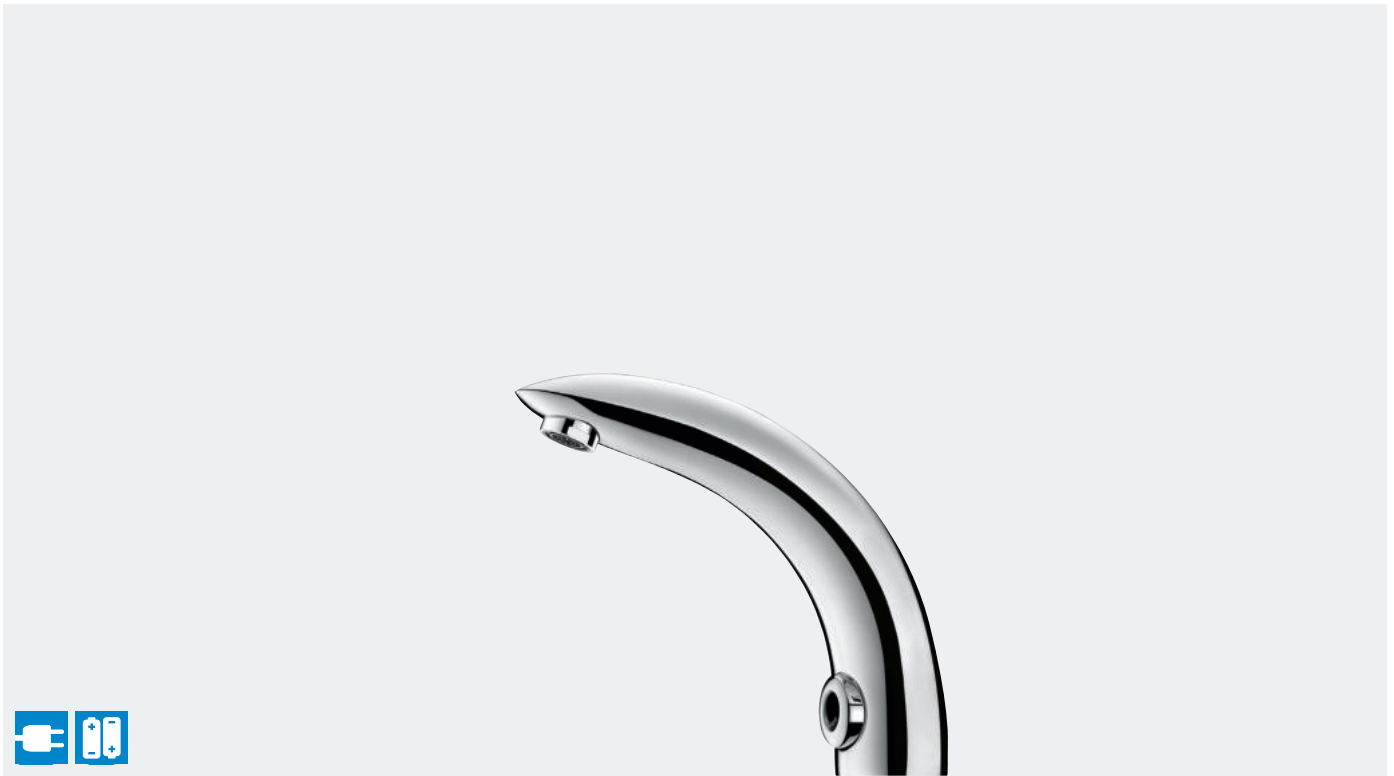
478MCHLH



37801515

TEMPOMATIC 2

Electronic mixer or tap, battery or mains operated



- Independent IP65 electronic control unit.
- 230/12V mains supply with transformer or 123 6V Lithium batteries.
- Flow rate pre-set at 4 lpm at 3 bar, can be adjusted from 1.5 - 6 lpm.
- Scale-resistant flow straightener.
- Adjustable duty flush (pre-set flush ~60 seconds every 24 hours after last use).
- Shock-resistant infrared presence detection sensor.
- Chrome-plated brass body.
- PEX flexibles with filters and solenoid valves.
- Reinforced fixing via 2 stainless steel rods.
- Anti-blocking security.
- 10-year warranty.

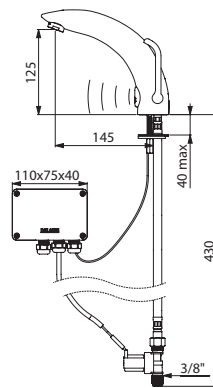
On mixers:

- Side temperature control with adjustable maximum temperature limiter.
- Solenoid valves are upstream of the mixing chamber.

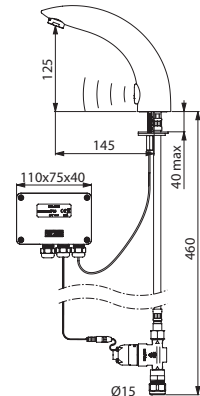


TEMPOMATIC MIX 2 mixer	
Mains supply	
M ³ / ₈ "	494000
Ø 15mm for compression fittings	49400015
6V Lithium battery-operated	
M ³ / ₈ "	494006
Ø 15mm for compression fittings	49400615
TEMPOMATIC 2 tap	
Mains supply	
M ³ / ₈ "	444000
Ø 15mm for compression fittings	44400015
6V Lithium battery-operated	
M ³ / ₈ "	444006
Ø 15mm for compression fittings	44400615

We recommend installing a TMV for taps (see page 86)
For long lever, please add LH after the reference



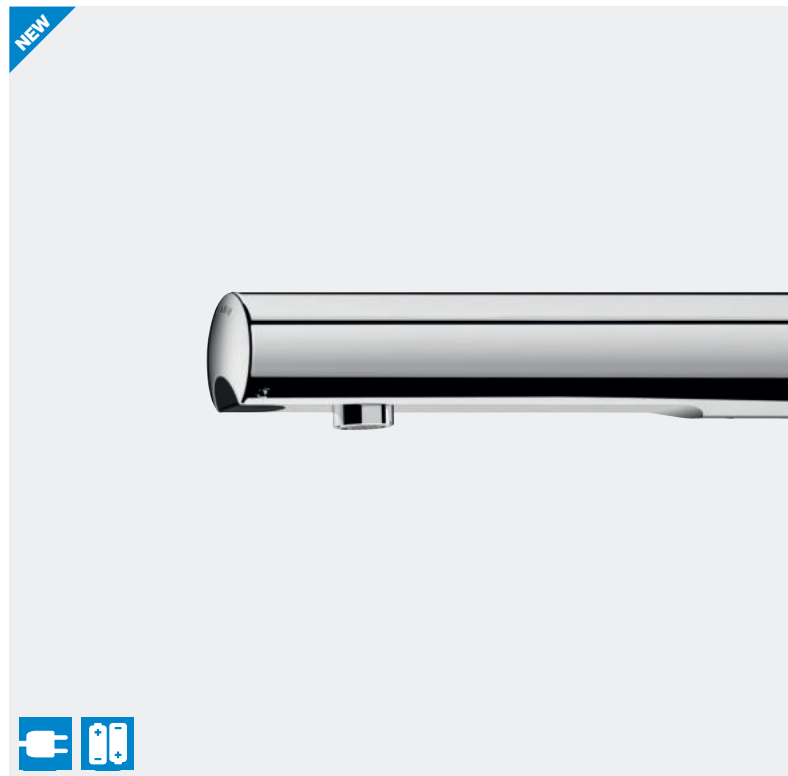
494000LH



44400615

TEMPOMATIC 4

Electronic mixer or tap, battery or mains operated



- 230/12V mains supply or integrated 123 6V Lithium batteries.
- Reduced-stagnation solenoid valve and electronic unit integrated into the body of the mixer/tap.
- Flow rate pre-set at 3 lpm at 3 bar, can be adjusted from 1.5 - 6 lpm.
- Scale-resistant flow straightener.
- Duty flush (~60 seconds every 24 hours after last use).
- Active, infrared presence detection, sensor at the end of the spout optimises detection.
- Chrome-plated metal body.
- Cap fixed in place by 2 concealed screws.
- Stopcocks.
- Anti-blocking security.
- Side temperature control with adjustable maximum temperature limiter on the mixers.
- Recommended installation height: 110-200mm above the top of the basin.
- 10-year warranty.



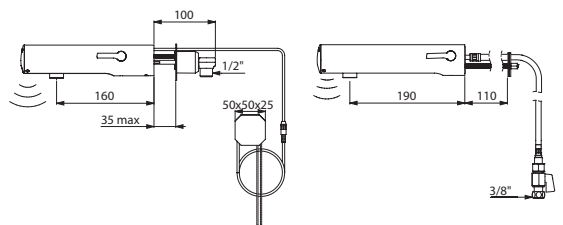
Standard lever



Long lever

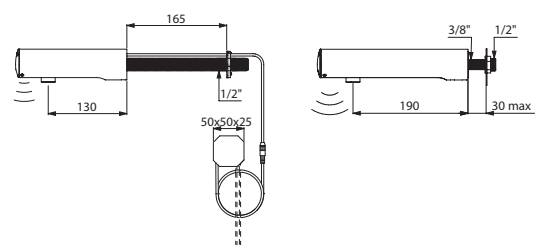
TEMPOMATIC MIX 4 wall-mounted mixer	
Recessed mains supply	
Wall-mounted L. 160mm (recessed water inlets)	493400
Wall-mounted L. 220mm (recessed water inlets)	493500
Cross wall L. 130mm	493410
Cross wall L. 190mm	493510
Battery-operated	
Wall-mounted L. 160mm (recessed water inlets)	493406
Wall-mounted L. 220mm (recessed water inlets)	493506
Cross wall L. 130mm	493416
Cross wall L. 190mm	493516
For long lever, please add L after the reference	
TEMPOMATIC 4 wall-mounted tap	
Recessed mains supply	
Wall-mounted L. 130mm (recessed water inlets)	443400
Wall-mounted L. 190mm (recessed water inlets)	443500
Cross wall L. 130mm	443410
Cross wall L. 190mm	443510
Battery-operated	
Wall-mounted L. 130mm (recessed water inlets)	443406
Wall-mounted L. 190mm (recessed water inlets)	443506
Cross wall L. 130mm	443416
Cross wall L. 190mm	443516
L. 130mm for panels ≤ 24mm or solid walls	443426
L. 190mm for panels ≤ 24mm or solid walls	443526

[We recommend installing a TMV for taps \(see page 86\)](#)



493400

493516



443410

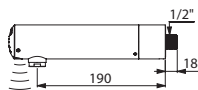
443506

TEMPOMATIC 3

Electronic tap with integrated battery



- Battery-operated with integrated 223 6V Lithium battery.
- Reduced-stagnation solenoid valve and electronic unit integrated into the body of the tap.
- Flow rate pre-set at 3 lpm at 3 bar, can be adjusted from 1.5 - 6 lpm.
- Scale-resistant flow straightener.
- Duty flush (~60 seconds every 24 hours after last use).
- Active, infrared presence detection, sensor at the end of the spout optimises detection.
- Chrome-plated solid brass body.
- Cap fixed in place by 2 concealed screws, with pictogram to identify the sensor easily.
- Wall-mounted, M $\frac{1}{2}$ ".
- Ø 50mm, L. 190mm.
- Anti-blocking security.
- 10-year warranty.



443006

TEMPOMATIC 3 wall-mounted tap

443006

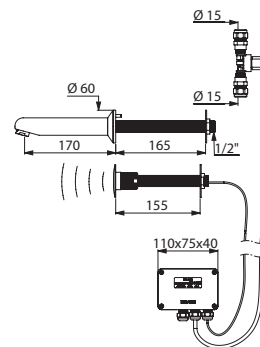
We recommend installing a TMV (see page 86)

TEMPOMATIC

Cross wall electronic tap with mains supply



- Independent IP65 electronic control unit.
- 230/12V mains supply with transformer.
- Flow rate pre-set at 3 lpm at 3 bar, can be adjusted from 1.5 - 6 lpm.
- Scale-resistant flow straightener.
- Adjustable duty flush (pre-set flush ~60 seconds every 24 hours after last use).
- Shock-resistant infrared presence detection sensor for walls ≤ 155mm.
- Anti-blocking security.
- Solenoid valve with integrated filter.
- Chrome-plated fixed spout L. 170mm for walls ≤ 165mm with anti-rotating pin.
- Wall plate flush to the wall.
- Threaded rods can be cut to size.
- 10-year warranty.



44115715

TEMPOMATIC cross wall tap

M $\frac{3}{8}$ "

441157

Ø 15mm for compression fittings

44115715

We recommend installing a TMV (see page 86)

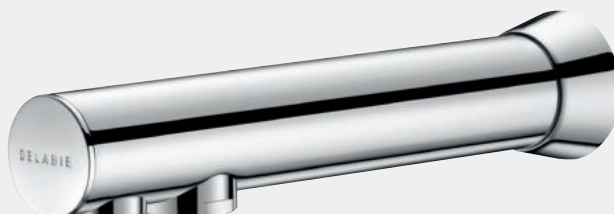
Alternative spout and cross wall lengths available on request



DELABIE

BINOPTIC

Cross wall or recessed electronic mixer or tap with mains supply



- Independent IP65 electronic control unit.
- 230/12V mains supply with transformer.
- Flow rate pre-set at 3 lpm at 3 bar, can be adjusted from 1.5 - 6 lpm.
- Scale-resistant flow straightener.
- Adjustable duty flush (pre-set flush ~60 seconds every 24 hours after last use).
- Active, infrared presence detection, sensor at the end of the spout optimises detection.
- Filters and solenoid valves.
- Chrome-plated brass body.
- Cable L. 120mm for sensor, flexibles and mounting all pass through the same hole on the cross wall versions.
- Anti-blocking security.
- Spout with smooth interior and low water volume (reduces bacterial development).
- Side temperature control with adjustable maximum temperature limiter on the mixers.
- Recommended installation height: 110 - 200mm above the top of the basin.
- 10-year warranty.



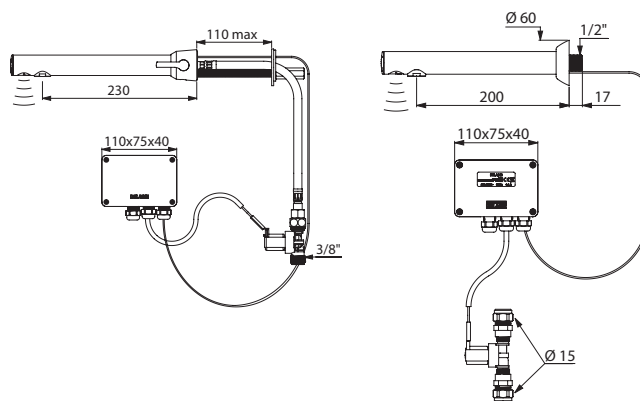
Standard lever



Long lever

BINOPTIC MIX cross wall mixer	
M $\frac{3}{8}$ "	379MCH
Ø 15mm for compression fittings	379MCH15
BINOPTIC wall-mounted tap	
Recessed spout L. 200mm, M $\frac{3}{8}$ "	379ENC
Recessed spout L. 200mm, Ø 15mm for compression fittings	379ENC15
For walls, spout L. 205mm, M $\frac{3}{8}$ "	379DER
For walls, spout L. 205mm, Ø 15mm for compression fittings	379DER15
For walls, spout L. 135mm, M $\frac{3}{8}$ "	379D13
For walls, spout L. 135mm, Ø 15mm for compression fittings	379D1315

We recommend installing a TMV for taps (see page 86)
For long lever, please add L after the reference



379MCH

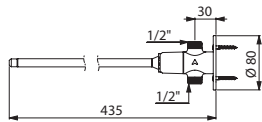
379ENC15

TEMPOGENOU

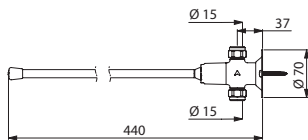
Knee-operated time flow basin valve



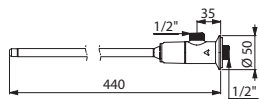
- Time flow ~7 seconds.
- Flow rate pre-set at 3 lpm at 3 bar, can be adjusted from 1.5 - 6 lpm.
- Reinforced control lever.
- Solid brass wall plate with reinforced fixing via 4 stainless steel screws on the in-line model.
- Cold or mixed water supply.
- Chrome-plated solid brass body.
- 10-year warranty.



735400



73544715



734100

TEMPOGENOU valve	
Straight for in-line inlet, M1/2"	735400
Straight for in-line inlet Ø 15mm compression fittings + olives	73544715
Angled for recessed inlet, M1/2"	734100

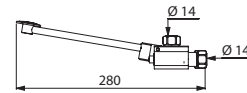
We recommend installing a TMV (see page 86)
Option: Spouts (see opposite)

MIXFOOT/MONOFOOT

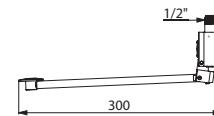
Foot-operated basin mixer with instant shut-off



- Instant automatic shut-off.
- Pedal can be raised for cleaning the floor.
- Adjustable pedal height.
- Fixed by 4 screws.
- Filters.
- Pre-set mixing can be adjusted on the MIXFOOT mixer version: half-open for cold water and fully open for mixed water (pedal touching the floor).
- Available for floor or wall-mounting.
- 10-year warranty.



739000



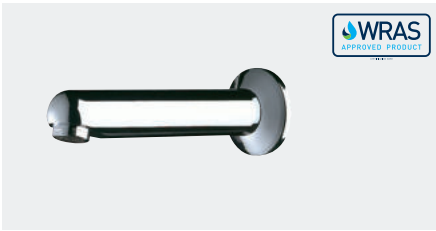
736102

MIXFOOT mixer	
Floor-mounted, stud nut Ø 14mm	739000
Floor-mounted, M1/2"	739100
Wall-mounted, M1/2"	739102
MONOFOOT valve	
Floor-mounted, stud nut Ø 14mm	736001
Floor-mounted, M1/2"	736101
Wall-mounted, M1/2"	736102

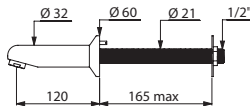
We recommend installing a TMV (see page 86) with the MONOFOOT valve
Option: Spouts (see opposite)

Fixed spout

Wall-mounted/Cross wall



- Spout Ø 32mm, M1/2".
- Chrome-plated solid brass.
- Scale-resistant flow straightener regulated at 3 lpm.
- 10-year warranty.



947151

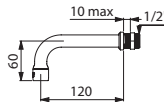
Cross wall spout with wall plate	
L. 120mm	947151
L. 170mm	947157
Wall-mtd spout, no wall plate (recessed inlet)	
L. 110mm	947120
L. 160mm	947170
Wall-mtd spout with wall plate (recessed inlet)	
L. 120mm	947135

Fixed L-shaped spout

Wall-mounted



- Tubular spout Ø 18mm, M1/2".
- L. 120mm.
- Chrome-plated brass.
- Flow straightener.
- 10-year warranty.

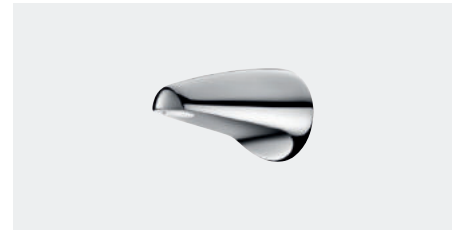


941922

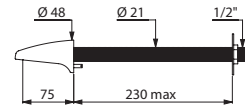
Wall-mounted fixed L-shaped spout	
Star-shaped flow straightener	941120
Flow straightener regulated at 3 lpm for panels ≤ 10mm	941922

Fixed spout

Cross wall



- Spout L. 75mm, M1/2".
- For cross wall installation with anti-rotating pin.
- Threaded rod can be cut to size.
- Streamlined, ligature-resistant design.
- Chrome-plated solid brass.
- Star-shaped, scale-resistant flow straightener.
- 10-year warranty.



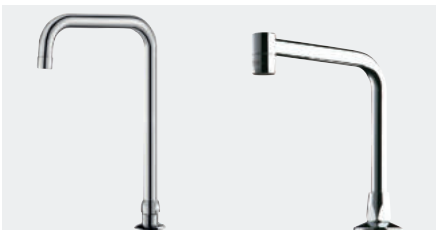
942200

Cross wall fixed spout	
For walls ≤ 230mm	942200
For walls ≤ 30mm	942040
Back-nut with 3 screws	826315

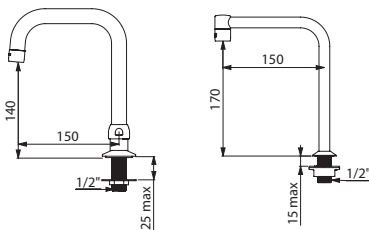
Alternative cross wall lengths available on request

Tubular spout

Deck-mounted



- Tubular spout on M1/2" base.
- Chrome-plated brass.
- Spout with smooth interior (reduces bacterial development).
- Scale-resistant flow straightener.
- 10-year warranty.



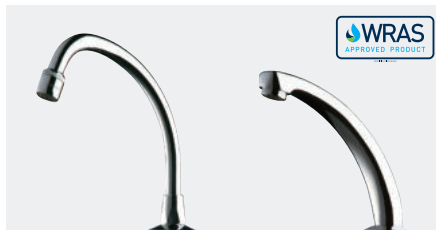
1306T1

204001

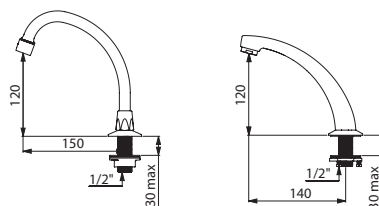
Swivelling tubular spout Ø 22mm	
L. 150mm H. 140mm, 3 lpm	1306T1
L. 200mm H. 260mm, 3 lpm	1306T2
L. 300mm H. 260mm	1306T3
Fixed tubular spout Ø 16mm	
	204001

Fixed or swivelling spout

Deck-mounted



- Spout M1/2".
- Fixed via back-nut on models 967152 & 967202, reinforced fixing via 3 stainless steel screws on model 981142.
- Chrome-plated brass.
- Scale-resistant flow straightener regulated at 3 l/min.
- 10-year warranty.



967152

981142

Swivelling swan neck spout	
L. 150mm H. 120mm	967152
L. 200mm H. 200mm	967202
Fixed, cast spout	
	981142

Hygienic flow straightener



- Flow straightener with no grid reduces bacterial development (no water or dirt retention).
- Models 922024.2P & 922022.2P: scale-resistant flow straightener pre-set at 3 lpm (DELABIE patented).
- **Flow rate can be adjusted from 1.5 - 6 lpm** at 3 bar (depends on mixer/tap model) from the outside using a 2.5mm Allen key.
- 10-year warranty.



922024.2P

921022.50P

Scale-resistant flow straightener	
M24/100	922024.2P
F22/100	922022.2P
F22/100 (2 per pack)	921022.2P
F22/100 (50 per pack)	921022.50P
M24/100 (2 per pack)	921024.2P
M24/100 (50 per pack)	921024.50P



Specialist Products

STAINLESS STEEL
SANITARY WARE
66



WATER FOUNTAINS
70



SERVICE TAPS
73

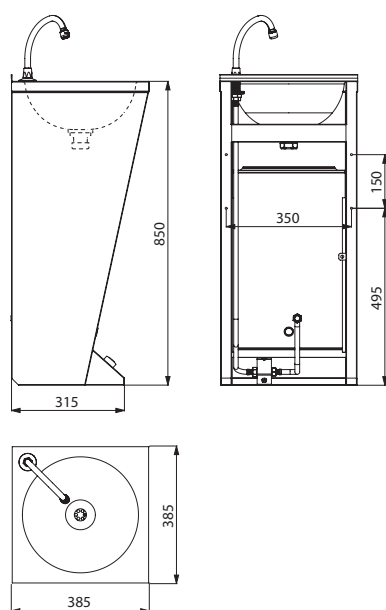


SXL hand washbasin


Foot-operated



- Floor-standing, foot-operated hand washbasin.
- Can be wall-mounted and/or floor-standing.
- Bacteriostatic 304 stainless steel.
- Stainless steel thickness: 0.8mm.
- Supplied with swan neck spout and tap with 7-second time flow.
- Easy to maintain: access panel at the front.
- Supplied with 1¼" waste.
- Without overflow.
- Supplied with fixing elements.
- CE marked. Complies with European standard EN 14688.
- Weight: 10kg.
- 10-year warranty.



180300

Floor-standing SXL hand washbasin with integrated tap
Polished satin 304 stainless steel  **180300**

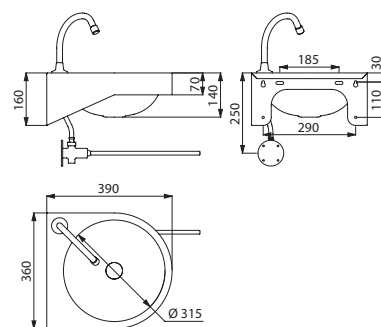
 : dispatch within 4 weeks  : stock item

GENOU hand washbasin

Knee-operated



- Wall-mounted, knee-operated hand washbasin.
- Bacteriostatic 304 stainless steel.
- Stainless steel thickness: 1.2mm.
- Rounded edges prevent injury.
- Supplied with swan neck spout and tap with 7-second time flow.
- Supplied with 1¼" waste.
- Without overflow.
- Supplied with fixing elements.
- CE marked. Complies with European standard EN 14688.
- Weight: 5kg.
- 10-year warranty.



180330

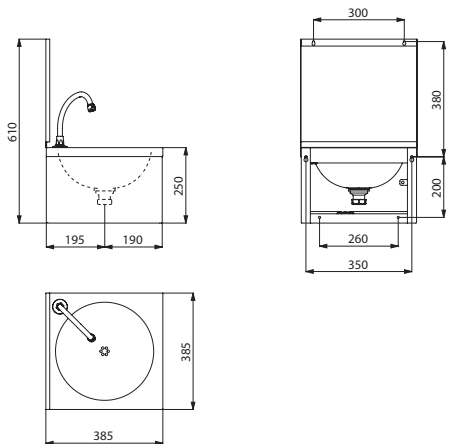
Wall-mounted GENOU hand washbasin with integrated tap
Polished satin 304 stainless steel  **180330**

SXS mechanical hand washbasin

Knee-operated



- Wall-mounted, knee-operated hand washbasin.
- Bacteriostatic 304 stainless steel.
- Stainless steel thickness: 0.8mm.
- Rounded edges prevent injury.
- Bare model (without tap) or complete model (with tap and pre-mixer).
- Complete model consists of: swan neck spout, soft-touch tap with 7-second time flow and a pre-mixer with non-return valves.
- Flat perforated waste, without screws: easy to clean and vandal-resistant.
- Water savings: flow rate pre-set at 3 lpm.
- Maximum hygiene: no manual contact with tap.
- Without overflow.
- Supplied with fixing elements.
- CE marked. Complies with European standard EN 14688.
- Weight: 4.3kg.
- 10-year warranty.



182320

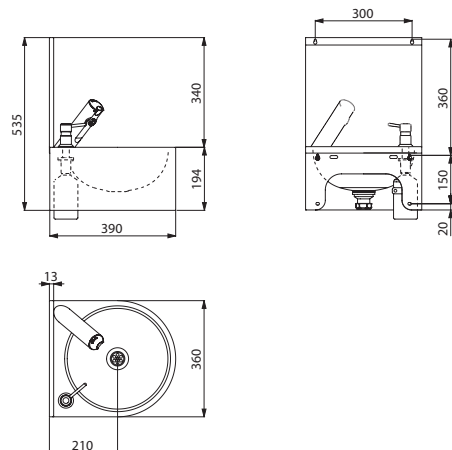
SXS mechanical hand washbasin without tap		
Hand washbasin alone, without splashback		181310
Hand washbasin alone, with splashback		181320
SXS mechanical hand washbasin with tap and pre-mixer		
Complete hand washbasin without splashback		182310
Complete hand washbasin with splashback		182320
Soap dispenser		374001

SXS electronic hand washbasin

Electronic control



- Wall-mounted hand washbasin with electronic control.
- Bacteriostatic 304 stainless steel.
- Stainless steel thickness: 1.2mm.
- Rounded edges prevent injury.
- 184310 and 184320 references are supplied with an electronic mixer with integrated batteries and solenoid valves and a chrome-plated brass soap dispenser.
- 18431015 and 18432015 references are supplied with a WRAS approved electronic tap with integrated battery and solenoid valve, a TMV3 and WRAS approved thermostatic mixing valve and a chrome-plated brass soap dispenser.
- Supplied with 1 1/4" waste. Without overflow.
- Water savings: flow rate pre-set at 3 lpm.
- Maximum hygiene: no manual contact with tap, reduced-stagnation solenoid valve, duty flush prevents bacterial development.
- Supplied with fixing elements.
- CE marked. Complies with European standard EN 14688.
- Weight: 4.1kg.
- 10-year warranty.



184320

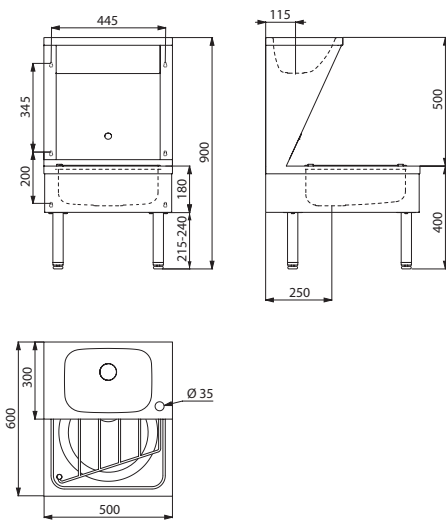
SXS electronic hand washbasin with mixer and soap dispenser		
Complete hand washbasin without splashback		184310
Complete hand washbasin with splashback		184320
SXS electronic hand washbasin with tap and soap dispenser (WRAS)		
Complete hand washbasin without splashback		18431015
Complete hand washbasin with splashback		18432015

: dispatch within 4 weeks : stock item

Janitorial unit
Floor-standing





- Floor-standing janitorial unit.
- Complies with the former HTM64 guidance and new Health Building Note 00-10: Part C - Sanitary Assemblies (JU).
- Bacteriostatic 304 stainless steel. Stainless steel thickness: 1mm.
- Smooth surface for easy cleaning.
- Adjustable feet height up to 25mm.
- Supplied with 1¼" waste for the basin and 1½" waste for the disposal sink. Without overflow.
- Hinged stainless steel bucket grid.
- Weight: 22kg.
- 10-year warranty.



180140

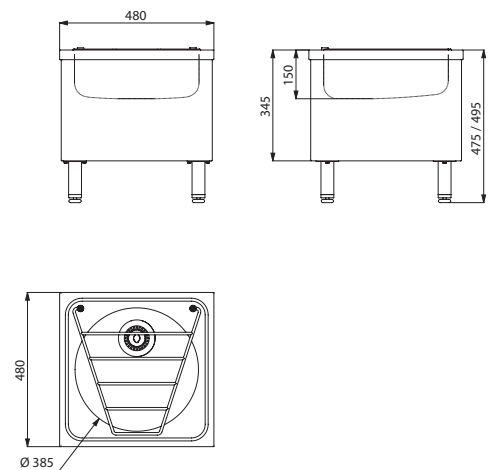
Floor-standing janitorial unit with right tap hole Ø 35mm
Polished satin 304 stainless steel  **180140**

 : dispatch within 4 weeks  : stock item


Disposal sink
Floor-standing



- Floor-standing disposal sink.
- Bacteriostatic 304 stainless steel. Stainless steel thickness: 1mm.
- One-piece pressed bowl, seam-free.
- Smooth surface for easy cleaning.
- Adjustable feet height up to 40mm.
- Supplied with 1½" waste. Without overflow.
- Hinged stainless steel bucket grid.
- Weight: 10.6kg.
- 10-year warranty.



180150

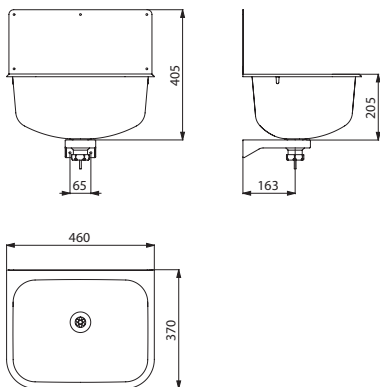
Floor-standing disposal sink
Polished satin 304 stainless steel  **180150**

Cleaners' sink

Wall-mounted



- Wall-mounted cleaners' sink with splashback.
- Bacteriostatic 304 stainless steel.
- Stainless steel thickness: 0.9mm.
- Seam-free, pressed bowl.
- Deep sink.
- Smooth surface.
- Rounded edges prevent injury.
- Supplied with 1½" waste.
- Without overflow.
- Supplied with fixing elements and splashback.
- Option to add a stainless steel hinged, lift-up grid.
- Weight: 4.6 kg.
- 10-year warranty.



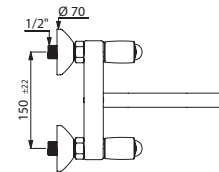
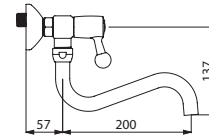
182400

Related product





Wall-mounted twin hole mixer

- Tubular under spout L. 200mm.
- Water-free valve heads with reinforced mechanisms.
- Full flow rate within the first 90° (for more information see page 31).



5645T2

Wall-mounted twin hole mixer	5645T2
------------------------------	--------

Wall-mounted cleaners' sink	
Polished satin 304 stainless steel	 182400
Stainless steel hinged grid for model 182400	 102400

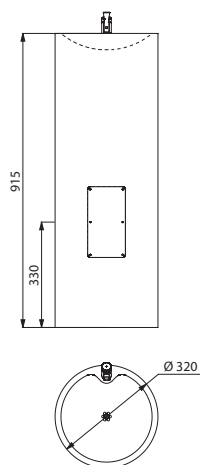
 : dispatch within 4 weeks  : stock item

ILHA drinking fountain

Floor-standing



- Floor-standing drinking fountain.
- Bacteriostatic 304 stainless steel.
- Stainless steel thickness: 0.8mm.
- Height: 915mm.
- Supplied with a WRAS approved bubbler tap: chrome-plated, instant shut-off and adjustable flow rate, inlet M $\frac{3}{8}$ ".
- Flat perforated waste, without screws: easy to clean and vandal-resistant.
- Recessed vertical water outlet.
- Waste outlet 1 $\frac{1}{4}$ ".
- Weight: 9.6kg.
- 10-year warranty.



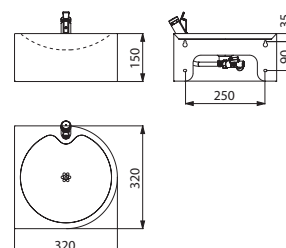
180100

SD drinking fountain

Wall-mounted



- Wall-mounted drinking fountain.
- Bacteriostatic 304 stainless steel.
- Stainless steel thickness: 1.2mm.
- Rounded edges prevent injury.
- Supplied with a WRAS approved bubbler tap: chrome-plated, instant shut-off and adjustable flow rate, inlet M $\frac{3}{8}$ ".
- Flat perforated waste, without screws: easy to clean and vandal-resistant.
- Recessed horizontal water outlet.
- Waste outlet 1 $\frac{1}{4}$ ".
- Supplied with fixing elements.
- Weight: 2.4kg.
- 10-year warranty.



180800

Floor-standing ILHA drinking fountain with integrated bubbler tap - Polished satin 304 stainless steel



180100

Wall-mounted SD drinking fountain with integrated bubbler tap - Polished satin 304 stainless steel

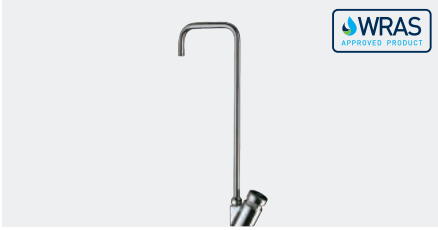


180800

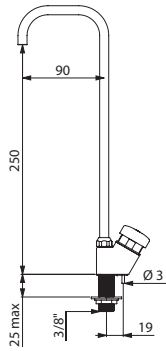
: dispatch within 4 weeks : stock item

Swan neck tap

For water fountains



- Instant shut-off.
- Adjustable flow rate.
- Chrome-plated brass body and stainless steel spout.
- 10-year warranty.

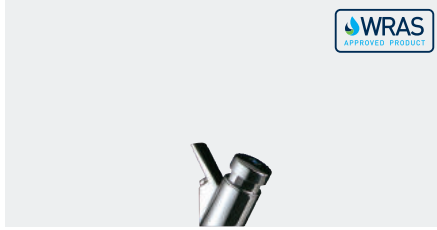


311QU1

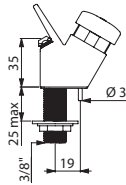
Swan neck tap	
For Rilsan tube 4x6	311TR1
M $\frac{3}{8}$ "	311QU1

Bubbler tap

For water fountains



- Instant shut-off.
- Adjustable flow rate.
- Chrome-plated brass.
- 10-year warranty.

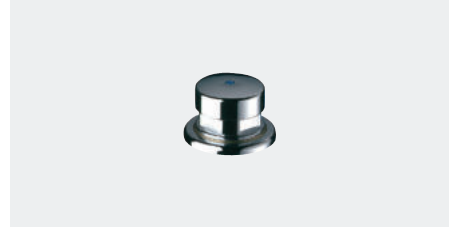


312QU1

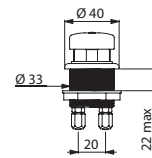
Bubbler tap	
	312QU1

Push-button control

For swan neck spouts and bubblers



- Instant shut-off.
- For swan neck spouts and bubblers.
- Chrome-plated brass.
- Connector for Rilsan tube 4 x 6mm.
- 10-year warranty.



319T61

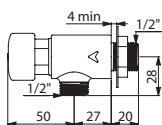
Push-button control	
	319T61

TEMPOSTOP

For hand washbasins



- Time flow ~7 seconds.
- Flow rate pre-set at 3 lpm at 3 bar, adjustable from 1.5 - 6 lpm.
- Rough cast body and chrome-plated push-button.
- Inlet M $\frac{1}{2}$ ".
- To be placed behind hand washbasin wall plate.
- 10-year warranty.



748626

TEMPOSTOP tap with push-button	
	748626

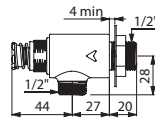
We recommend installing a TMV (see page 86)

TEMPOSTOP

For hand washbasins



- Time flow ~7 seconds.
- Flow rate pre-set at 3 lpm at 3 bar, adjustable from 1.5 - 6 lpm.
- Rough cast body.
- Inlet M $\frac{1}{2}$ ".
- To be placed behind hand washbasin wall plate.
- 10-year warranty.



748126

TEMPOSTOP tap, no push-button	
	748126

We recommend installing a TMV (see page 86)

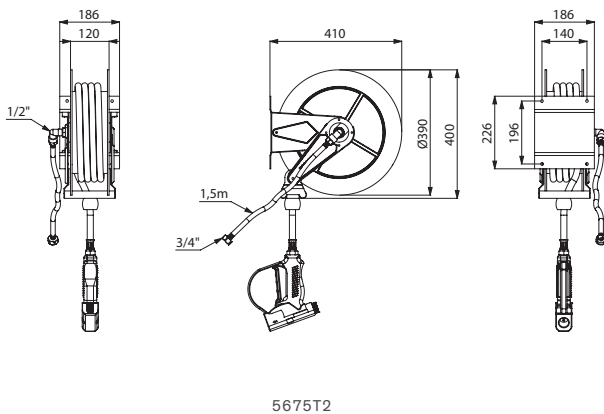


Auto-rewind stainless steel hose reel **5675T2**

Auto-rewind hose reel



- Flexible hose L. 15m and guide rollers.
- Maximum temperature: 50°C.
- Flow rate 23 lpm at 3 bar.
- Maximum pressure 20 bar, 12 bar with trigger-operated hand spray.
- Model 5675T2: 304 stainless steel bracket and drum Ø 390mm.
- Model 5676T2: 304 stainless steel bracket and ABS drum Ø 425m.
- Order separately: an angled stopcock with integrated vacuum breaker to prevent the back flow of polluted water into the mains supply (see opposite) and reducer bush ref. 808020.
- 10-year warranty.



Auto-rewind hose reel	
Stainless steel	5675T2
ABS	5676T2

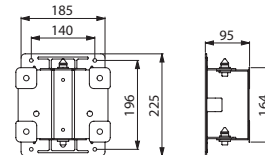
Options: rotating base and stopcock (see opposite)

Related products



Rotating base

- 304 stainless steel.
- Rotates 40° to the left or right.
- Can be locked in the 0° position by locking the screw.
- 10-year warranty.



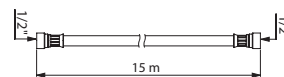
5679

Rotating base	5679
----------------------	-------------



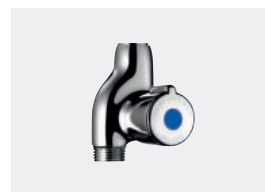
Flexible hose for reel

- Flexible hose L. 15m.
- Maximum temperature: 50°C.
- Maximum pressure: 20 bar.
- 10-year warranty.



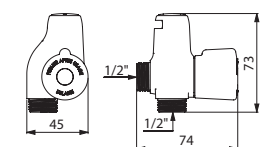
435576

Flexible hose L. 15m for auto-rewind hose reel	435576
---	---------------



Stopcock M1/2"

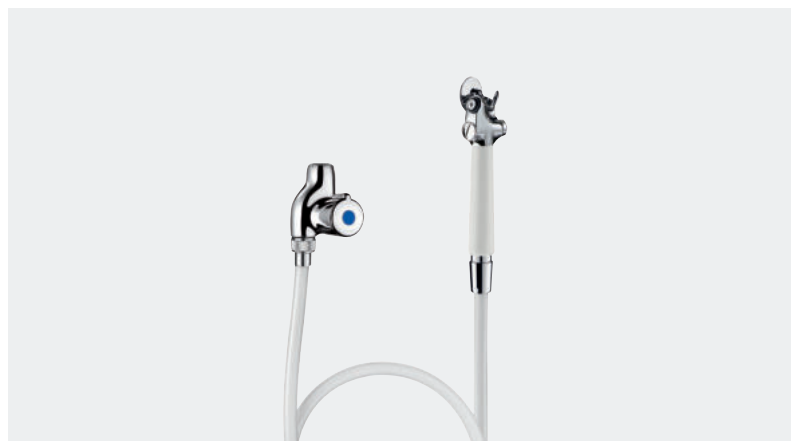
- ¼-turn ceramic valve head.
- **Integrated backflow prevention device and non-return valve** (anti-pollution protection).
- Chrome-plated brass body.
- 10-year warranty.



158100

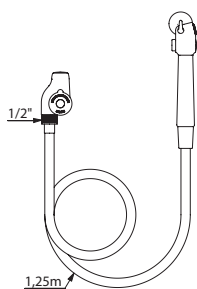
Stopcock M1/2"	158100
-----------------------	---------------

Standard oven cleaner



- Oven cleaner with **stopcock with ceramic discs**.
- **Integrated backflow prevention device and non-return valve**.
- White, opaque reinforced PVC flexible hose FF $\frac{1}{2}$ ", L. 1.25m.
- **Push-button operated hand spray**.
- Chrome-plated, wall-mounted brass hook.
- 10-year warranty.

Can be fitted with a time flow valve on request.



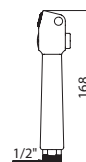
D275059

Related products



Push-button operated hand spray

- **M $\frac{1}{2}$ " hand spray with downward jet**.
- Chrome-plated brass and white polypropylene.



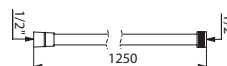
434182

Push-button operated hand spray	434182
---------------------------------	--------



Reinforced flexible hose FF $\frac{1}{2}$ "

- **White, opaque PVC flexible hose** prevents the development of germs.
- Rotating nuts FF $\frac{1}{2}$ " prevent the flexible from twisting.
- Pre-mounted unions provide a waterproof seal.



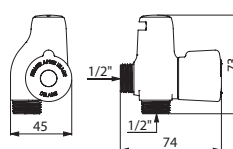
434125

Reinforced flexible hose FF $\frac{1}{2}$ "	434125
---	--------



Stopcock M $\frac{1}{2}$ "

- $\frac{1}{4}$ -turn ceramic valve head.
- **Integrated backflow prevention device and non-return valve** (anti-pollution protection).
- Chrome-plated brass body.
- 10-year warranty.



158100

Stopcock M $\frac{1}{2}$ "	158100
----------------------------	--------

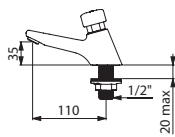
Standard oven cleaner	D275059
-----------------------	---------

TEMPOSTOP

Time flow push-button tap



- Time flow ~7 seconds.
- Flow rate pre-set at 3 lpm at 3 bar, can be adjusted.
- Tamperproof, scale-resistant flow straightener.
- Chrome-plated solid brass body, M1/2".
- Fixing via back-nut.
- 10-year warranty.

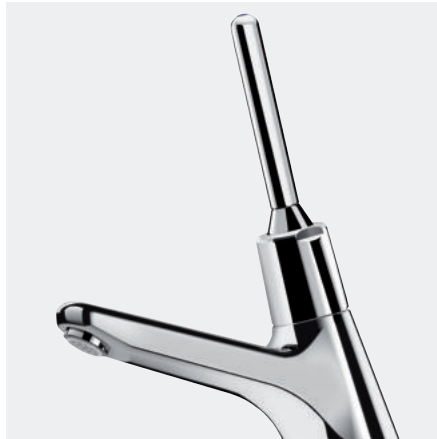


745100

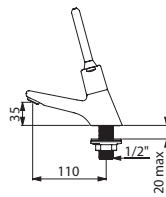
Deck-mounted TEMPOSTOP time flow tap	745100
We recommend installing a TMV (see page 86)	

TEMPOSTOP

Deck-mounted time flow lever tap



- Time flow ~7 seconds.
- Flow rate pre-set at 3 lpm at 3 bar, can be adjusted.
- Tamperproof, scale-resistant flow straightener.
- Chrome-plated solid brass body, M1/2".
- Fixing via back-nut.
- Lever-operated control (soft-touch operation).
- 10-year warranty.

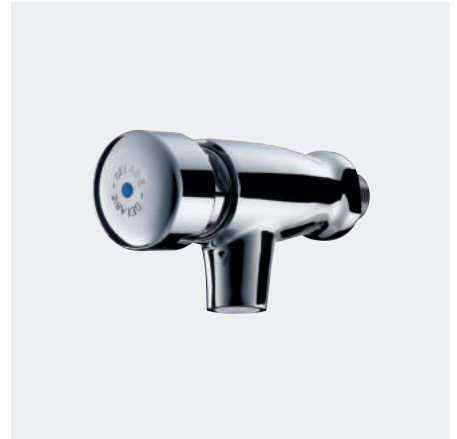


745440

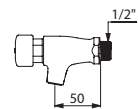
Deck-mounted TEMPOSTOP time flow tap	745440
We recommend installing a TMV (see page 86)	

TEMPOSTOP

Wall-mounted time flow tap



- Time flow ~7 seconds.
- Flow rate pre-set at 3 lpm at 3 bar, can be adjusted.
- Tamperproof, scale-resistant flow straightener.
- Chrome-plated solid brass body, M1/2".
- 10-year warranty.



746000

Wall-mounted TEMPOSTOP time flow tap	746000
We recommend installing a TMV (see page 86)	



Additional fittings

CATERING
ADDITIONAL
FITTINGS
78



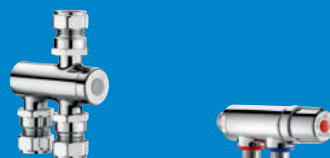
SOAP
DISPENSERS
81



DISPENSERS
& WASTE BINS
83



GROUP
THERMOSTATIC
MIXING VALVES
86



FLOOR
TRAPS
87

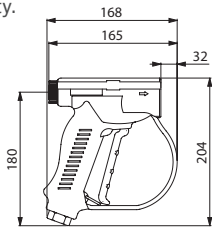


Trigger-operated hand spray

With adjustable jet



- Trigger-operated hand spray with **adjustable jet** and shock-resistant protection.
- Ergonomic grip with protector is easy to grip.
- Internal mechanism will withstand chemical products.
- Flow rate: 23 lpm at 3 bar.
- Maximum temperature: 50°C.
- Maximum pressure: 12 bar.
- Trigger can be locked in open position thanks to an integrated collar.
- 10-year warranty.



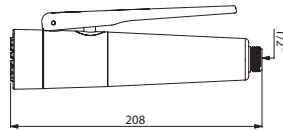
433011

Trigger-op hand spray, adjustable jet	433011
--	---------------

Scale-resistant hand spray



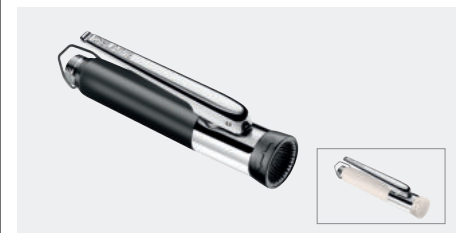
- Hand spray with **adjustable jet** and scale-resistant tip with nipples.
- Shock-resistant.
- **Two jet options:** rain effect and concentrated jet set at 10 lpm at 3 bar.
- **Reinforced polypropylene** handle with non-slip grip for improved grip.
- Chrome-plated solid brass.
- Hand spray can be locked in open position via a simple click.
- 10-year warranty.



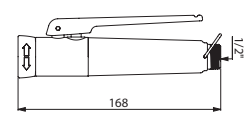
433003

Scale-resistant hand spray with nipples	
White	433003
Black	433009

Scale-resistant hand spray with nozzle



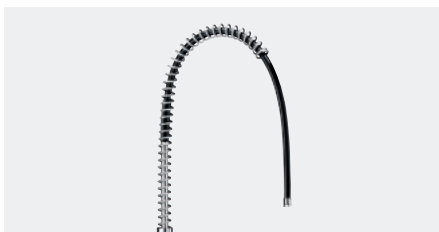
- Hand spray with **adjustable jet** and shock-resistant tip.
- Scale-resistant diffuser (nozzle has no grid).
- **Two jet options:** rain effect - 8 lpm at 3 bar or concentrated jet - 9 lpm at 3 bar.
- **Reinforced polypropylene** handle with non-slip grip for improved grip.
- Chrome-plated solid brass.
- Hand spray can be locked in open position using integrated collar.
- 10-year warranty.



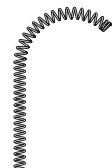
433000

Hand spray with scale-resistant nozzle	
White	433000
Black	433010

Stainless steel spring guide



- Stainless steel spring guide L. 600mm for pre-rinse flexible hoses.
- 10-year warranty.



433038

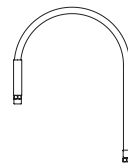
Stainless steel spring guide	433038
-------------------------------------	---------------

Food-grade flexible hose

Black



- Reinforced flexible hose, **withstands temperatures up to 70°C and up to 5 bar maximum pressure** with:
 - PVC sheath on the stress area.
 - **Anti-torsion rotating nut.**
- 10-year warranty.



433095CH

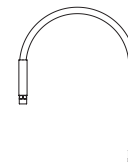
Black food-grade flexible hose	
L. 0.95m	433095CH
L. 1.20m	433120CH

Food-grade flexible hose

White



- Reinforced flexible hose, **withstands temperatures up to 70°C and up to 5 bar maximum pressure** with:
 - PVC sheath on the stress area.
 - **Anti-torsion rotating nut.**
- 10-year warranty.



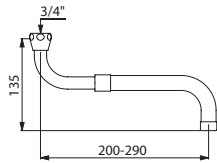
433095

White food-grade flexible hose	
L. 0.95m	433095
L. 1.20m	433120
L. 2.00m	433200

Swivelling spout



- Swivelling spout.
- F $\frac{3}{4}$ ".
- Chrome-plated brass.
- Models 966230 & 966380: can be mounted above or below a wall-mounted mixer.
- Flow straightener.
- 10-year warranty.



966230

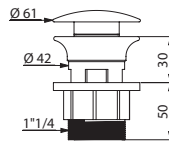
Swivelling spout	
Telescopic L. 200 - 290mm	966230
Telescopic L. 300 - 470mm	966380
Tubular L. 200mm	943200110

ON/OFF waste

Waste with stainless steel valve



- Washbasin waste M1 $\frac{1}{4}$ " with stainless steel valve **with free flow**.
- Recommended for all washbasins equipped with electronic or time flow mixers/taps and washbasins with overflow.
- Open/close by simply pressing the top of the waste.
- 10-year warranty.



581000

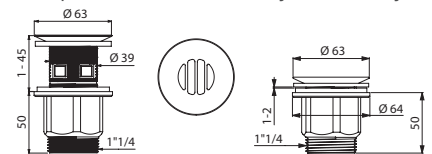
ON/OFF WASTE	581000
--------------	---------------

HYGIÉNA waste

Waste with concave grid



- Hygienic washbasin waste M1 $\frac{1}{4}$ ".
- **Concave grid** (no water retention).
- **Free flow, with no central screw** (reduces bacterial development).
- Polished chrome-plated brass grid, chrome-plated ABS body.
- Tall version: tightens to a min. 1mm or max. 45mm; **pre-scored waste**: (snap-off sections can be removed for basins with overflow). Short version: tightens to a min. 1mm or max. 2 mm; **special stainless steel washbasins**.
- Complies with EN 274-1. 10-year warranty.



611

6110

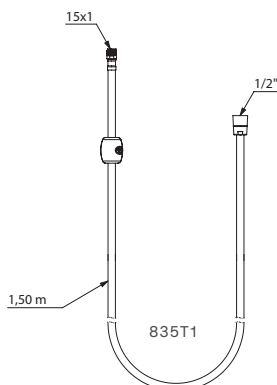
HYGIÉNA waste	
Tall version	611
Short version	6110

Nylon flexible hose

For retracting hand sprays



- Nylon flexible hose L. 1.50m with counterweight for retracting hand spray (see ref. 2597 page 41).
- Conical F $\frac{1}{2}$ " union and cylindrical M15x1 union.

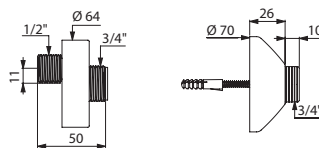


Nylon flexible hose	835T1
---------------------	--------------

Standard connectors



- Chrome-plated connectors for wall-mounted mixers.
- Supplied in packs of 2.
- 10-year warranty.



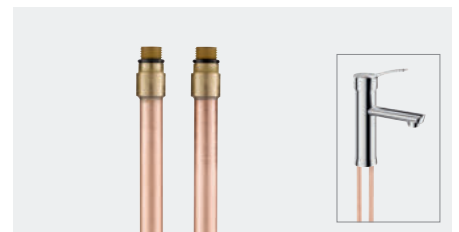
856794.2P

845527.2P

Wall-mounted standard connectors	
Offset L.50, C-C 11mm, Ø 64mm	856794.2P
Offset L.60, C-C 12mm, Ø 70mm	856027.2P
Offset L.60, C-C 21mm, Ø 70mm	857027.2P
Offset L.50, C-C 11mm, Ø 70mm	856127.2P
In-line fast-fix connectors	845527.2P

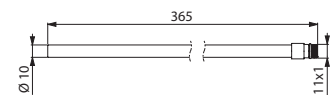
Copper tails

To supply mixers and taps



- Soft-tempered copper tails.
- Can be installed instead of PEX flexibles.
- Better conductors than flexibles.
- More effective for thermal shocks.
- Supplied in packs of 2.
- 10-year warranty.

Pro tip: don't forget to include non-return valves on the copper tubes if the PEX flexibles to be replaced have integral non-return valves. Contact our Technical team for further information.



811611.2P

Copper tails	
M10 x 1 L. 365mm	811610.2P
M11 x 1 L. 365mm	811611.2P



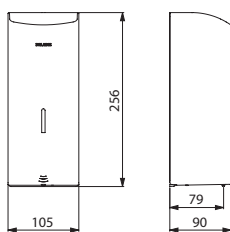
DELABIE

Electronic soap dispenser

Wall-mounted



- **Vandal-resistant model with lock and standard DELABIE key.**
- **No manual contact:** hands are automatically detected by infrared cell (detection distance can be adjusted).
- Cover made from **bacteriostatic 304 stainless steel.**
- **One-piece hinged cover** for easy maintenance and better hygiene.
- **No waste pump dispenser:** dispenses 0.8ml (can be adjusted up to 7 doses per activation).
- Option of operation in **anti-clogging mode.**
- Power supply: 6 AA -1.5V (DC9V) batteries supplied integrated in the soap dispenser body.
- Low battery indicator light.
- Tank with large opening: easy to fill from large containers.
- Window allows soap level to be checked.
- Capacity: 1 litre.
- Stainless steel thickness: 1mm.
- Dimensions: 90 × 105 × 256mm.
- For vegetable-based liquid soap with a maximum viscosity of 3,000 mPa.s.
- Compatible with hydroalcoholic gel.
- 10-year warranty.
- CE marked.



512066

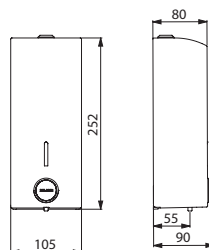
Electronic liquid soap dispenser	
Bright polished 304 stainless steel	512066P
Polished satin 304 stainless steel	512066S
White powder-coated 304 st. steel	512066W

Wall-mounted soap dispenser

With soft-touch operation



- **Vandal-resistant model with lock and standard DELABIE key.**
- Cover made from **bacteriostatic 304 stainless steel.**
- **One-piece hinged cover** for easy maintenance and better hygiene.
- **Push-button with soft-touch operation.**
- **Anti-blocking:** single dose per press even when the button is pressed for long periods.
- No waste, non-drip (waterproof) pump-action dispenser.
- Tank with large opening: easy to refill from large containers.
- Tank prevents long-term stagnation of soap.
- Window allows soap level to be checked.
- Capacity: 1 litre.
- Stainless steel thickness: 1mm.
- Dimensions: 90 × 105 × 252mm.
- For vegetable-based liquid soap with a maximum viscosity of 3,000 mPa.s.
- Compatible with hydroalcoholic gel.
- 10-year warranty.



510580

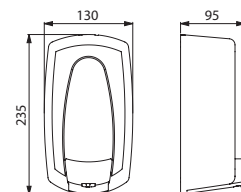
Wall-mounted soap dispenser	
Bright polished 304 stainless steel	510580
Polished satin 304 stainless steel	510582
White powder-coated 304 st. steel	510581

Hyperco soap dispenser

ABS



- White ABS.
- Push-button with non-drip system.
- With lock.
- Level control.
- **Capacity: 0.9 litre.**
- Model 374001 dimensions: 95 × 130 × 235mm.
- Model 6712 dimensions: 105 × 130 × 215mm.
- 10-year warranty.

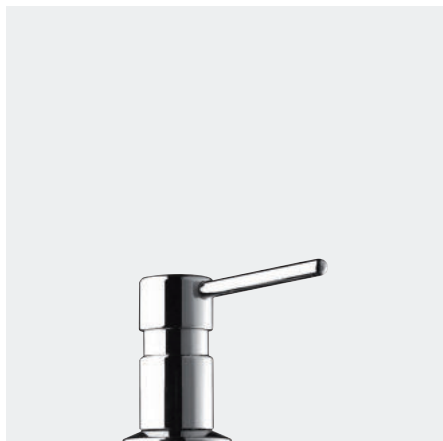


347001

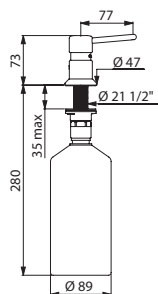
Hyperco liquid soap dispenser	
Manual control	374001
With elbow control	6712

Straight liquid soap dispenser

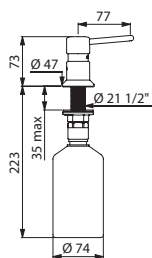
Deck-mounted



- Model for deck-mounting on washbasins.
- **Vandal-resistant model.**
- Chrome-plated brass body and push-button.
- Non-drip system (waterproof).
- **Mechanism can be locked via a grub screw.**
- Top fill (by unscrewing the push-button) or from the lower part (by unscrewing the bottle).
- Models for installation beneath the washbasin (references 729008 and 729508) or for remote tank (reference 729108).
- Models with a tank are compatible with hydroalcoholic gel.
- 10-year warranty.



729008

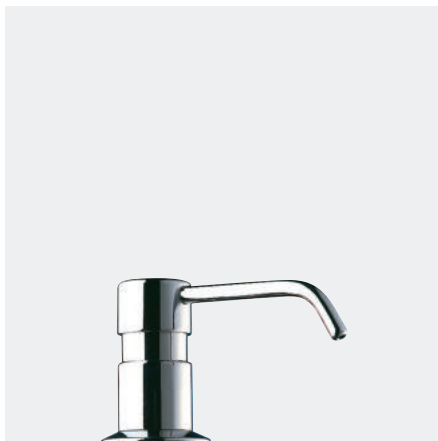


729508

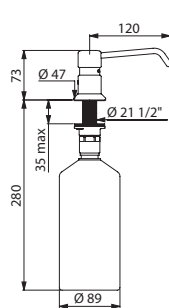
Soap dispenser with straight spout	
With 1 litre bottle	729008
With 0.5 litre bottle	729508
With Rilsan pipe 1.20m	729108

Curved liquid soap dispenser

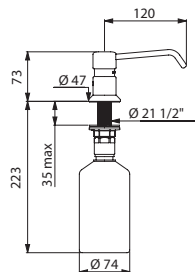
Deck-mounted



- Model for deck-mounting on washbasins.
- **Vandal-resistant model.**
- Chrome-plated brass body and push-button.
- Non-drip system (waterproof).
- **Mechanism can be locked via a grub screw.**
- Top fill (by unscrewing the push-button) or from the lower part (by unscrewing the bottle).
- Models for installation beneath the washbasin (references 729012 and 729512) or for remote tank (reference 729112).
- Models with a tank are compatible with hydroalcoholic gel.
- 10-year warranty.



729012

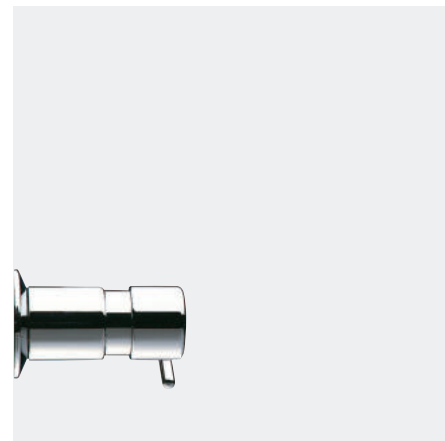


729512

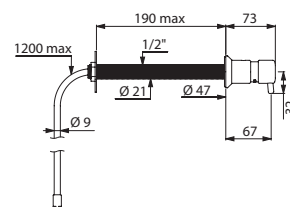
Soap dispenser with curved spout	
With 1 litre bottle	729012
With 0.5 litre bottle	729512
With Rilsan pipe 1.20m	729112

Cross wall liquid soap dispenser

Wall-mounted, cross wall installation



- **Vandal-resistant model for cross wall installation**, for walls up to 190mm.
- Chrome-plated body and push-button.
- Non-drip system (waterproof).
- **Mechanism can be locked via a grub screw.**
- **For remote tanks** (tank not supplied) with L. 1.20m flexible tube.
- 10-year warranty.



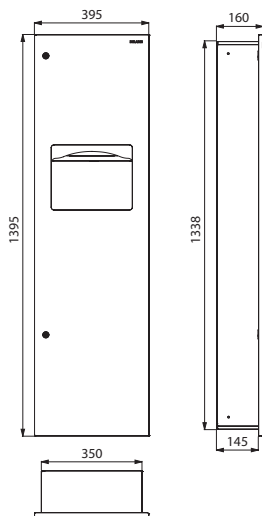
729150

Cross wall soap dispenser for remote tanks	729150
--	---------------

Recessed combi paper towel dispenser/bin



- Polished satin bacteriostatic 304 stainless steel.
- Door with lock and standard DELABIE key.
- Concealed fixings.
- Dispenser capacity: 400 - 600 towels.
- Waste bin capacity: 30 or 10 litres.
- Stainless steel 1.2mm thick.
- Dimensions: 160 × 395 × 1,395mm or 125 × 330 × 790mm.
- 10-year warranty.



510715S

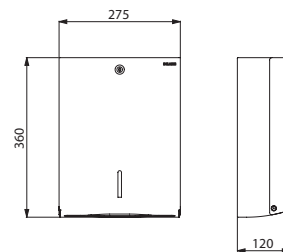
Recessed combi paper towel dispenser/bin	
30 litres	510715S
10 litres	510714S

Wall-mounted paper towel dispenser

For 500 paper towels



- Bacteriostatic 304 stainless steel.
- With lock and standard DELABIE key.
- Level control.
- Dispenses one sheet at a time.
- Capacity: 500 sheets.
- Dimensions: 120 × 275 × 360mm.
- Paper towel dimensions: open 230 × 250mm, folded 115 × 250mm.
- 10-year warranty.



510601

Wall-mounted paper towel dispenser - 500 sheets	
Bright polished 304 stainless steel	510601P
Polished satin 304 stainless steel	510601S
Folded paper towels, pack of 180 sheets	6606

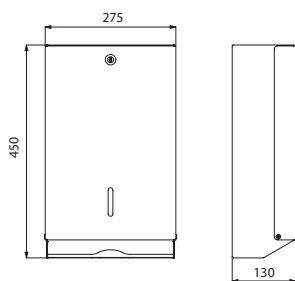


Wall-mounted paper towel dispenser

For **750** paper towels



- With lock and **standard DELABIE key**.
- Level control.
- **Capacity: 750 sheets.**
- Stainless steel 1mm thick.
- Dimensions: 130 × 275 × 450mm.
- Paper towel dimensions: open 230 × 250mm, folded 115 × 250mm.
- 10-year warranty.



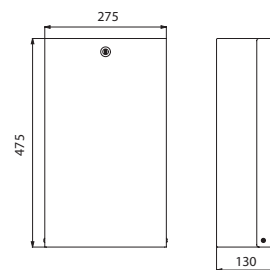
6601/6607D

Wall-mounted rectangular stainless steel bin

With flap, **16 litres**



- **System for fixing a bag in the bin.**
- With lock and **standard DELABIE key**.
- Bright polished stainless steel flap.
- For paper towels and waste paper.
- Capacity 16 litres.
- Stainless steel 1mm thick.
- Dimensions: 130 × 275 × 475mm.
- 10-year warranty.



6611/6617

Wall-mounted paper towel dispenser - 750 sheets	
Bright polished stainless steel	6601
Polished satin stainless steel	6607D
Folded paper towels, pack of 180 sheets	6606

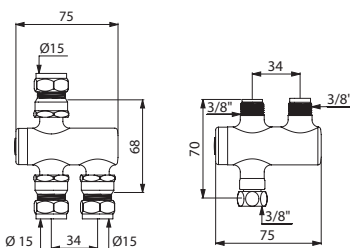
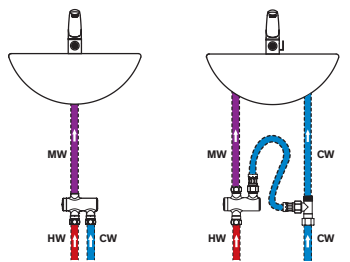
Wall-mounted, rectangular stainless steel waste bin - 16 litres	
Bright polished stainless steel	6611
Polished satin stainless steel	6617

PREMIX NANO

Thermostatic mixing valve



- For 1 - 2 taps.
- **Anti-scalding failsafe:** immediate shut-off if hot or cold water supply fails.
- Temperature pre-set at 38°C, can be adjusted by the installer from 34 - 60°C.
- Brass body.
- **Filters and non-return valves.**
- Recommended flow rate range from 3 - 12 lpm.
- **Thermal shocks are possible.**
- 10-year warranty.



732115/732116

732216

PREMIX NANO (from 3- 12 lpm)

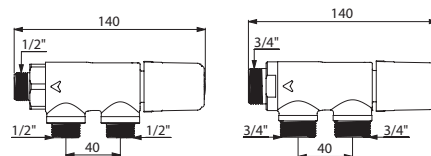
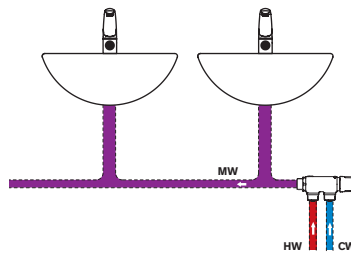
Nickel-plated body M½", 15mm	732115
Polished chrome body M½", 15mm	732116
Nickel-plated body FFM¾"	732012
Polished chrome body FFM¾"	732016
Polished chrome body FMM¾"	732216
Connection kit ¾" for 732216	732515

PREMIX COMPACT

Thermostatic mixing valve



- For 2 - 10 sanitary points-of-use (depending on the flow rate).
- **Anti-scalding failsafe:** immediate shut-off if hot or cold water supply fails.
- Temperature pre-set at 38°C, can be adjusted.
- Brass body.
- **Filters and non-return valves.**
- Recommended flow rate range:
 - ½": from 5 - 20 lpm
 - ¾": from 5 - 25 lpm.
- **Thermal shocks are possible.**
- 10-year warranty.



733015

733020

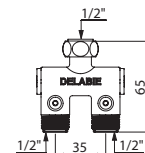
PREMIX COMPACT

M½" for 2 - 7 valves from 5 - 20 lpm	733015
M¾" for 2 - 10 valves from 5 - 25 lpm	733020

Pre-mixer Compact



- For installation beneath a single basin.
- Nickel-plated body MF½".
- Controllable non-return valves and filters.
- 10-year warranty.



200000

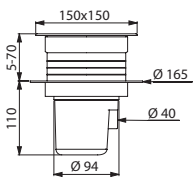
Pre-mixer Compact	200000
--------------------------	---------------

Adjustable height floor trap

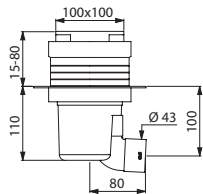
For tiled/concrete or soft/vinyl floors



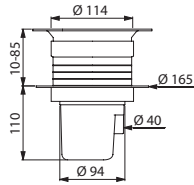
- Flow rate 36 lpm (meets standards).
- Water level 50mm.
- Bright polished stainless steel grid.
- Horizontal or vertical outlet integrated into the height of the floor trap (saves height and space in all dimensions).
- Integrated waterproof collar to seal waterproof membrane.
- Withstands high temperatures: 60°C continuous, 85°C peak.
- Plunger with handle: easy to grip and easy to clean.
- Smooth PVC body (no impurity retention).
- Classified non-flammable (American certification UL94).
- Height adjusts with extension.
- Grid fixed with 2 stainless steel screws.
- For hard floors (tiles or solid concrete) or soft (vinyl).
- 10-year warranty.



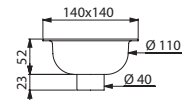
683001



682001UK



683002



684000

Floor trap for tiles or concrete floors	
150 × 150mm, height adjusts up to 70mm, outlet Ø 40mm	683001
150 × 150 mm, height adjusts up to 70mm, horizontal outlet Ø 43mm	683001UK
100 × 100 mm, height adjusts up to 80mm, outlet Ø 40mm	682001
150 × 150 mm, height adjusts up to 80mm, horizontal outlet Ø 43mm	682001UK
Floor trap for soft or vinyl floors Ø 114mm	
Height adjusts up to 85mm, outlet Ø 40mm	683002
Height adjusts up to 85mm, horizontal outlet Ø 43mm	683002UK

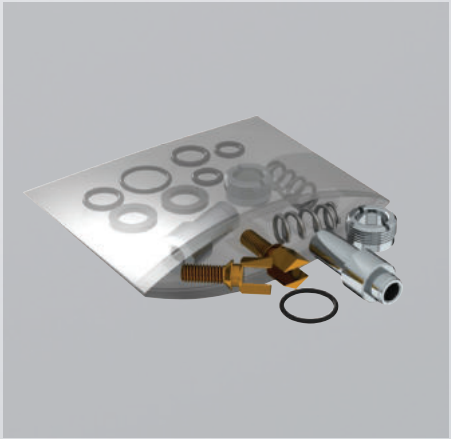
Floor trap

For tiled or concrete floors



- Flow rate 18 lpm.
- Water level 18mm.
- Brass body 140 × 140mm.
- Bright polished stainless steel grid fixed by one stainless steel screw.
- PVC bell.
- Vertical outlet Ø 40mm (provide an elbow for horizontal outlets).
- For hard floors (tiles or solid concrete).
- 10-year warranty.

Floor trap 140 × 140mm	684000
------------------------	---------------



Spare parts Certification Reference index

SPARE PARTS

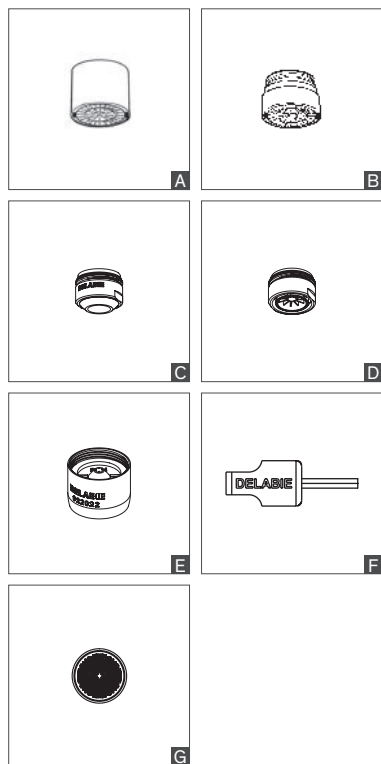
90

CERTIFICATION
& STANDARDS

93

REFERENCE
INDEX

94



SPOUT OUTLETS

Scale-resistant aerators with brass collar

F22/100 (5 pieces)	22.5P	A
M24/100 (5 pieces)	24.5P	B
M28/100 (2 pieces)	28.2P	-

Scale-resistant and tamperproof aerators with eco washer

F22/100 (2 pieces)	925622.2P	A
M24/100 (2 pieces)	925624.2P	B

BIOSAFE outlets (free flow outlets with no grid or partitions in contact with the water) with brass collar

F22/100 (1 piece) for basin taps / mixers 5 lpm	923022	-
F22/100 (50 pieces) for basin taps / mixers 5 lpm	923022.50P	-
M24/100 (1 piece) for basin taps / mixers 5 lpm	923024	C
M24/100 (50 pieces) for basin taps / mixers 5 lpm	923024.50P	C

Hygienic flow straighteners (star-shaped with no grid: reduces bacterial development) with brass collar

F22/100 (2 pieces)	921022.2P	-
F22/100 (50 pieces)	921022.50P	-
M24/100 (2 pieces)	921024.2P	D
M24/100 (50 pieces)	921024.50P	D

Flow straighteners at 3 lpm (flow rate can be adjusted via 2.5mm Allen key) with brass collar

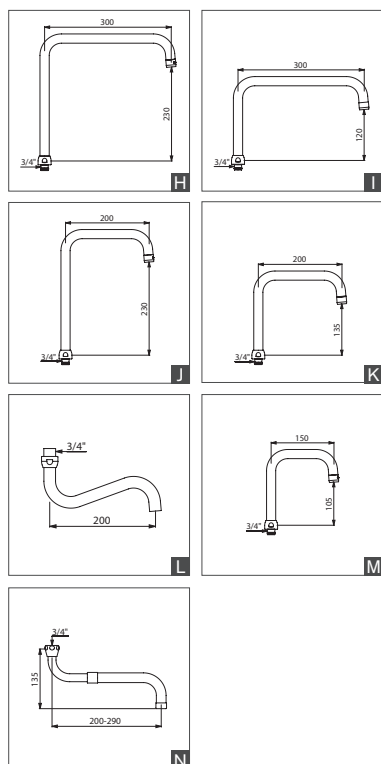
F22/100 (2 pieces)	922022.2P	E
M24/100 (2 pieces)	922024.2P	-
Adjustment key (2.5mm Allen key)	C282025	F

Filters flat washer filter in Nylon, 0.5mm mesh

For 1/2" nut (10 pieces)	60212.10P	G
For 3/4" nut (10 pieces)	60234.10P	G

Connectors

2 connectors with non-return valves, FM3/8"	C151AH75	-
2 connectors with non-return valves, FM1/2"	C291AH75	-



SPOUTS

Spouts L. 300mm

Over spout Ø 22mm, H. 235mm

with 3/4" nut and star-shaped brass flow straightener	963300245G	-
---	------------	---

Over spout Ø 22mm, H. 230mm

with 3/4" nut and star-shaped flow straightener	963300245F	H
---	------------	---

Over spout Ø 22mm, H. 120mm

with 3/4" nut and star-shaped flow straightener	963300145F	I
---	------------	---

Spouts L. 200mm

Over spout Ø 22mm, H. 230mm

with 3/4" nut, flow straightener regulated at 3 lpm	963200245F	J
---	------------	---

Over spout Ø 22mm, H. 135mm

with 3/4" nut and star-shaped flow straightener	963200145F	K
---	------------	---

Over spout Ø 22mm, H. 120mm

with 3/4" nut and BIOSAFE outlet	963200923F	-
----------------------------------	------------	---

Under spout Ø 22mm, H. 117mm

with 3/4" nut and star-shaped, brass flow straightener	943200110	L
--	-----------	---

Spout L. 150mm

Over spout Ø 22mm, H. 105mm

with 3/4" nut and flow straightener regulated at 3 lpm	963150125F	M
--	------------	---

Over spout Ø 22mm, H. 100mm

with 3/4" nut and BIOSAFE outlet	963150923F	-
----------------------------------	------------	---

Universal telescopic spouts

Spout L. 200 - 290mm

with 3/4" nut and star-shaped flow straightener	966230	N
---	--------	---

Spout L. 300 - 470mm

with 3/4" nut and star-shaped flow straightener	966380	-
---	--------	---

HAND SPRAYS

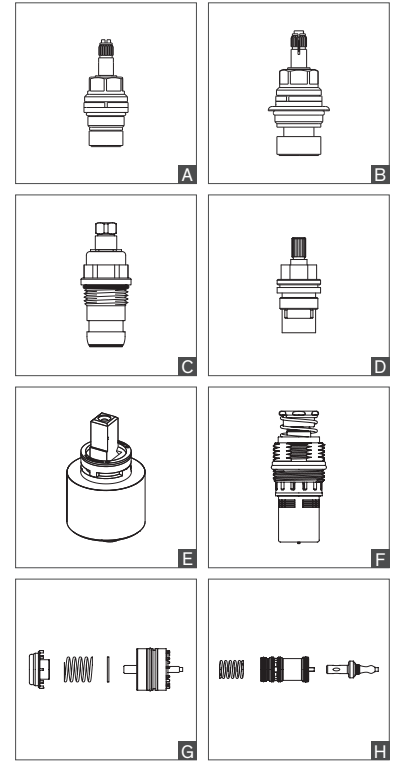
For pre-rinse sets

	Repair kit	Type
Nozzle for white hand spray 433000	433305	-
Nozzle for black hand spray 433010	433315	-

CONTROL KNOBS

Valve heads

	Repair kit	Type
Complete valve head - ¼-turn right CW (Ø 22 x 150mm) + control lever		
Ref.s 433622, 433722, 435622, 435722, 5630, 5632, 5633, 5634, 5636, 5640T2, 5640T3, 5641T2, 5641T3, 5645T2, 5647T2, 5647T3, 5680, 5830, 5832, 5833, 5834, 5836, 5880	P272AA85	A
Complete valve head - ¼-turn left HW (Ø 22 x 150mm) + control lever		
Ref.s 5630, 5632, 5633, 5634, 5636, 5640T2, 5640T3, 5641T2, 5641T3, 5645T2, 5647T2, 5647T3, 5680, 5830, 5832, 5833, 5834, 5836, 5880	P271AA85	A
Complete valve head - ½-turn right CW (Ø 28 x 150mm) + control lever		
Ref.s 5603, 5610, 5612	P296AA85	B
Complete valve head - ½-turn left HW (Ø 28 x 150mm) + control lever		
Ref.s 5603, 5610, 5612	P295AA85	B
Valve head without control knob (2 pieces)		
Ref.s 433220, 433422, 435220, 435422, G6432, D2553, G6433, G6532, G6533, G65602, G65603, G6632, G6633, G66452, G66453, G6679, G6732, G6733, G6832, G6833, G6932, G6933	366015.2P	C
Ceramic valve head + control knob		
Ref. 5445T2S	P5445	-
Ceramic valve head ½", ¼-turn right		
Ref. 5675T2 (before 12/2017), D275059	P482AJ75	D



CARTRIDGES

For mixers

	Repair kit	Type
Ceramic cartridge Ø 35mm with base		
Ref.s 2506T2, 2506T3, 5625, 5626, 5825, 5826, 6692, 6693, 6892 & 6893	NS262	-
Ref.s 2506T1, 2506T11	N222	-
Ceramic cartridge Ø 40mm with base		
Ref.s 2510, 2519, 2542, 2597, 2211, 2211L & 2599 (before 12/2017)	N148AA75	-
Ceramic cartridge Ø 40mm without base		
Ref.s 2211, 2211L & 2597	N109AG75	E
Ceramic cartridge Ø 45mm without base		
Ref.s 5650T2, 5650T3 & 5652	NS565	-

TEMPOSTOP TAPS & VALVES

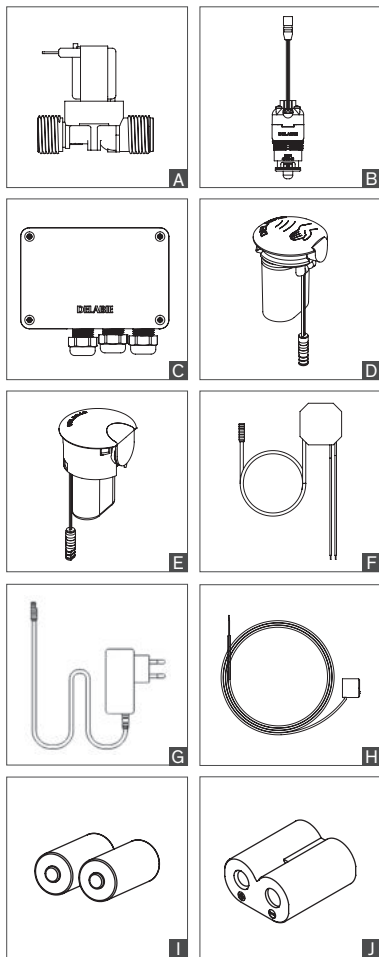
	Timing (sec.)	Repair kit	Complete cartridge	Type
745100, 745250, 746000, 748626	7	753005	743005	-
745440, 745450, 748126	7	753005	743305	F
737152, 737202	3	753303	743323	-

HANDS-FREE CONTROLS

	Timing (sec.)	Repair kit	Complete cartridge	Type
TEMPOGENOU 734100, 735400, 735447, 73544715	7	753005	743305	F
MIXFOOT 739000, 739100, 739102	-	753739	-	-
MONOFOOT 736001, 736101, 736102	-	753736	-	-

SOAP DISPENSERS

	Repair kit	Complete cartridge	Type
729			
729008, 729108, 729508	729302	729308	D
729012, 729112, 729512	729302	729312	D
729150, 729200	729302	729303	D
PVC tube + non-return valve & non-return valve docking port	729TUB	-	-
1L tank for ref.s 729008, 729112	729501	-	E
0.5L tank for ref.s 729508, 729512	729500	-	-
51058			
Pump	51058M	-	F
Lock	SER2911V	-	G
Lid	51058CO	-	-
512066			
Electronic unit + O-ring	51206BC	-	-
Lid for tank	51206CR	-	-
Lock	SER2911V	-	G



SOLENOID VALVES

For washbasins

12V MM $\frac{1}{2}$ " for TEMPOMATIC washbasins	495626	A
12V MM $\frac{3}{8}$ " for TEMPOMATIC 2 & BINOPTIC washbasins	495612	A
6V for TEMPOMATIC (MIX) 3 washbasins	479749	-
6V for TEMPOMATIC (MIX) 4 washbasins	479748	B
6V MM $\frac{3}{8}$ " for TEMPOMATIC (MIX) 2, BINOPTIC (MIX)	495606	-

ELECTRONIC CONTROL UNITS

For washbasins

230/12V standard with "duty flush" option, with transformer for washbasins	495444BC	C
6V with integrated battery for TEMPOMATIC (MIX) 3 washbasins	492446	D
6V with integrated battery for TEMPOMATIC (MIX) 4 washbasins	490446	E
230/12V multifunction with transformer for washbasins	495445BC	C
6V battery-operated for washbasins	495446BC	C
6V TEMPOMATIC (MIX) 4 washbasins mains supply	490450	E

POWER SUPPLIES

For washbasins

Recessed supply for TEMPOMATIC (MIX) 4 mains supply	490240	F
Plug-in supply for TEMPOMATIC (MIX) 4 mains supply	490241	G
Plug-in for TEMPOMATIC (MIX) 4 mains supply, UK model	490241UK	-
Extension	490230EXT	-

SENSORS

For washbasins (the same model for washbasins, mains supply or battery-operated)

With cable 0.10m	495009	H
With cable 0.70m	495070	H
With cable 1.50m	495149	H
With cable 5.00m	495499	H
For washbasins: BINOPTIC (MIX) and TEMPOMATIC (MIX) 2, cable 0.70m	CEL378V	-
For washbasins: BINOPTIC (MIX) and TEMPOMATIC (MIX) 2, cable 1.50m	CEL378150V	-
For washbasins: BINOPTIC (MIX) and TEMPOMATIC (MIX) 2, cable 5.00m	CEL378499V	-

NB: cable can not be extended or cut

BATTERIES

For washbasins

2 × 3V 123/CR – 17345 Lithium batteries	990123	I
1 × 6V 223/CR – P2 Lithium battery	990223	J

THERMOSTATIC MIXING VALVES

Repair kits

	Repair kit	Type
For PREMIX COMPACT		
Ref.s 733015, 733016, 733020, 733021	753733	G
For PREMIX NANO		
Ref.s 732012, 732016, 732115, 732116, 732216	743732	H

WHAT IS THE NF MARK?

The NF Mark affixed on a product attests that the latter complies with the relevant standards and with complementary technical specifications requested by the market, where appropriate.

• SANITARY WATER CONTROLS

The characteristics are specified in the technical documents, prepared with the participation of the manufacturers, the distributors, the consumer associations, the laboratories and the public authorities, fixed by AFNOR Certification and monitored by the "Centre Scientifique et Technique du Bâtiment" (CSTB) (Scientific and Technical Building Centre). CSTB carries out tests on the products and the audits on the companies as part of this application.

WHAT DOES THE NF MARK ACCORD?

> Sanitary water controls

The NF Mark – SANITARY TAPWARE certifies the compliance of products with the certification reference system approved by AFNOR Certification. In particular, this guarantees:

> For automatic shut-off valves

- quality of the surface covering
- interchangeability of valves
- tightness before and after endurance test
- intercommunication between cold water and hot water
- flow rates appropriate to the application
- checking the flow time
- mechanical performances
- wear resistance for the control devices
- acoustic performances.

> For mechanical mixers

- quality of the surface covering;
- interchangeability of mixer taps;
- tightness before and after endurance test;
- intercommunication between cold water and hot water;
- flow rates appropriate to the application;
- use comfort depending on the sensitivity, the precision and the temperature constancy;
- mechanical performances;
- wear resistance for the control devices;
- acoustic performances.

HOW DOES ONE RECOGNISE AN NF PRODUCT?

To distinguish products that have been admitted to the NF Mark in the shops and during installation, the NF logo is affixed on the products themselves.

THE NF MARK IS TO BE FOUND ON WHAT PRODUCTS?

The NF Mark is affixed on the following products:

• SANITARY WATER CONTROLS

- single taps and mixer taps;
- mechanical mixer taps;
- thermostatic mixing valves;
- flow rate regulators;
- shower outlets for sanitary tapware;
- extractable handsprays for sink and washbasin mixer taps;
- shower hoses for sanitary tapware;
- waste fittings;
- automatic shut-off valves;
- stop valves mounted:
 - upstream from sanitary tapware;
 - on a WC flushing cistern;
 - to supply a washing machine;
- multiway selector;
- automatic diverter, Family H, type C;
- electronic opening and closing valve, and specifies the ratings for some of them.

WATER REGULATIONS ADVISORY SERVICE

All sanitary fittings that deliver water from a public mains water supply must comply with the Water Supply (Water Fittings) Regulations (1999) or Scottish Byelaws. These fittings must be of an 'appropriate quality and standard' and must not contaminate the water or cause wastage. Products that are WRAS approved demonstrate this compliance and are recognised by all water suppliers in the UK.

TMV3 SCHEME

The TMV scheme is an independent third party approval scheme administered by NSF International. The TMV3 scheme certifies that products comply with performance requirements of the UK Department of Health's HTM 04-01: Supplement Performance Specification D08 in healthcare and commercial applications in the UK.

NSF International also certifies Type 2 thermostatic mixing valves comply with the requirements of European standards EN 111 and EN 1287.

ACS

ACS: All DELABIE products comply with the French CPDW directive and the 29 May 1997 decree modified by the Ministry of Health DGS/SD7A2002 number 571 of 25 November 2002.



CE certification for electronic taps and valves: directives 2014/30/UE and 2014/35/UE.



NF EN certification:

French and European standards
NF EN 816
NF EN 817
NF EN 1111



NSF TMV3 scheme



ISO certification

ISO 9001: 2015
Quality Management System

Other certification:

DELABIE exports to over 90 countries worldwide.

REF.	DESCRIPTION	P.	REF.	DESCRIPTION	P.
102400	Hinged stainless steel grid for ref 182400	69	379MCH	BINOPTIC MIX c-wall 110 basin mix M3/8" mains 230/12V +trans	61
1306T1	Tubular swivel spout Ø22 H140 L150	63	379MCH15	BINOPTIC MIX c-wall 110 basin mix Ø15 for CF mains + trans	61
1306T2	Tubular swivel spout Ø22 H260 L200	63	379MCHL	BINOPTIC MIX c-wall 110 basin M3/8" mains +trans long lever	-
1306T3	Tubular swivel spout Ø22 H260 L300	63	388015	BINOPTIC basin M3/8" H.170mm tap 230/12V mains supply	55
1316	Swivel column with retractable spray, H200 L220mm	41	38801515	BINOPTIC basin tap Ø15 for CF H.170mm 230/12V mains supply	55
158100	Stopcock 1/2" with vacuum breaker + 1/4 turn ceramic head	73	388MCHLH	BINOPTIC MIX basin M3/8" H.170mm mixer 230/12V mains supply	55
180100	ILHA free standing water fountain H915 304 st steel satin	70	388MCHLH15	BINOPTIC MIX basin Ø15 for CF H.170mm mixer 230/12V mains	55
180140	Floor standing combi basin sink 304 stainless steel satin	68	398015	BINOPTIC basin M3/8" H.250mm tap 230/12V mains supply	55
180150	Floor standing cleaners sink 304 stainless steel satin	68	39801515	BINOPTIC basin Ø15 for CF H.250mm tap 230/12V mains supply	55
180300	SXL hand wash free standing right hole Ø22 304 st steel sat	66	398MCHLH	BINOPTIC MIX basin M3/8" H.250mm mixer 230/12V mains supply	55
180330	GENOU wall mtd hand wash right tap hole Ø22 304 st steel sat	66	398MCHLH15	BINOPTIC MIX basin Ø15 for CF H.250mm mixer 230/12V mains	55
180800	SD wall mounted water fountain 304 stainless steel satin	70	433000	White trigger hand spray H. 168mm, adjustable spray	78
181310	SXS hand washbasin w/o tap 304 satin st steel	67	433003	White scale resistant trigger hand spray H. 208, adj spray	78
181320	SXS hand washbasin w/o tap with upstand 304 satin st steel	67	433009	Black scale resistant trigger hand spray H. 208, adj spray	78
182310	SXS hand washbasin mechanical complete 304 satin st steel	67	433010	Black trigger hand spray H. 168mm, adjustable spray	78
182320	SXS hand washbasin mechanical complete with upstand 304 satin st steel	67	433011	Shock-resistant trigger-op hand spray with adjustable spray	78
182400	Wall mtd sink with splashback 304 pol satin stainless steel	69	433020	Pre-rinse set with hand spray 433000 no vlv, long col F3/4"	21
184310	SXS hand washbasin electronic complete 304 satin st steel	67	433038	Stainless steel spring guide for pre rinse set	78
18431015	WRAS SXS hand washbasin elect. complete 304 st steel	67	433050	Wall-mounted bracket	-
184320	SXS hand washbasin electronic complete with upstand 304 satin st steel	67	433095	White food grade hose FF1/2" L0.95m	78
18432015	WRAS SXS hand washbasin elect. complete with upstand 304 st steel	67	433095CH	Black food grade hose FF1/2" L0.95m	78
200000	Pre-mixer COMPACT MF1/2" for basin non return valves	86	433120	White food grade hose FF1/2" L1.20m	78
204001	Deck mounted fixed spout M1/2" L150 H170 Ø16 FS 3lpm	63	433120CH	Black food grade hose FF1/2" L1.20m	78
22.5P	5 × Scale proof aerator F22/100	90	433200	White food grade hose FF1/2" L2.00m	78
2210	Mechanical sink mixer swivel spout H145 L215mm sculpt lever	39	433220	Pre-rinse set w handspray 433000 no vlv, tel spout +long col	21
2210L	Mechanical sink mixer swivel spout H145 L215mm Hygiene lever	39	433305	Nozzle repair kit for white hand spray	90
2211	Mech sink mixer swivel spout/ret. spray H105mm, solid lever	41	433315	Nozzle repair kit for black hand spray	90
24.5P	5 × Scale proof aerator M24/100	90	433420	Pre-rinse set with hand spray 433000 no vlv, short col F3/4"	21
25061T1	Basin mixer with swivel spout H.195mm L.150mm, no waste	39	433422	Pre-rinse set w handspray 433000 no vlv tel spout +short col	21
2506SRV	Mixer 2506 sub-assembly without waste	-	433500	Pre-rinse set, short col F3/4" with swivelling tubular spout	-
2506T1	Basin mixer with swivel spout H.195mm L.150mm, with waste	39	433520	Pre-rinse short column F3/4" no bib tap	-
2506T2	Sink mixer with swivel spout H220 L200mm, no waste	39	433620	Pre-rinse set with hand spray 433010 no vlv, short col F3/4"	21
2506T3	Mixer with swivelling spout H.315 L.300mm, no waste	39	433622	Pre-rinse set w handspray 433010 no vlv tub spout +short col	21
2510	Mechanical sink mixer swivel spout H155 L230mm sculpt lever	39	433720	Pre-rinse set with hand spray 433010 no vlv, long col F3/4"	21
2510L	Mechanical sink mixer swivel spout H155 L230mm Hygiene lever	39	433722	Pre-rinse set w handspray 433010 no vlv tub spout + long col	21
2510T	Mechanical sink mixer swivel spout H155 L230mm solid lever	39	433800	Pre-rinse set, long col F3/4" with swivelling tubular spout	-
2519	Wall mtd mech mixer swiv spout L200, sculpt lever, SC unions	-	433802	Pre rinse long column 3/4" + spout	-
2519L	Wall mtd mech mixer swivel spout L200 Hygiene lever,SC unions	-	433820	Pre-rinse long column F3/4" no bib tap	-
2519LS	Wall mtd mech mixer swiv spout L200 Hygiene lever offset std	44	434125	Flexible white PVC hose FF1/2" L1.25m	74
2519S	Wall mtd mech mixer swiv spt L200mm sculpt lever offset std	44	434182	Inverted trigger hand spray with push button for bed pans	74
2526T2	Catering mixer flexible has no retainer H. 325mm max	33	435020	Pre-rinse set with hand spray 433003 no vlv, long col F3/4"	21
2542	Mech mixer w. remote control, sculpt lever for retr. spray	41	435220	Pre-rinse set w handspray 433003 no vlv, tel spout +long col	21
2597	Mechanical mixer swivel spout H215 L200mm retractable spray	41	435420	Pre-rinse set with hand spray 433003 no vlv, short col F3/4"	21
2599	Mech sink mixer retractable hand spray H200, sculpt lever	41	435422	Pre-rinse set w handspray 433003 no vlv tel spout +short col	21
28.2P	2 × Scale proof aerator M28/100	90	435576	Flexible hose L. 15m	73
311QU1	Swan neck fountain tap M3/8"	71	435620	Pre-rinse set with hand spray 433009 no vlv, short col F3/4"	21
311TR1	Swan neck fountain tap for Rilsan tube 4x6	71	435622	Pre-rinse set w handspray 433009 no vlv tub spout +short col	21
312QU1	Bubbler tap chromed M3/8" for fountain	71	435720	Pre-rinse set with hand spray 433009 no vlv, long col F3/4"	21
312TR1	*Bubbler tap for Rilsan tube (stock then 312QU1)	-	435722	Pre-rinse set w handspray 433009 no vlv tub spout + long col	21
318200	*Bubbler/spout for partitions L200 (while stock)	-	440000	TEMPOMATIC 4, basin tap F3/8" rec mains 230/6V + stopcock	52
319T61	Push button for fountain taps for Rilsan tube 4x6	71	44000015	TEMPOMATIC 4 basin tap M1/2" rec mains supply Ø15 +stopcock	52
366015.2P	2 × DELABIE water free "LONG LIFE" valve head 1/2"	91	440001	TEMPOMATIC 4, basin tap F3/8" mains plug 230/6V + stopcock	52
374001	Hypereco liquid soap dispenser 0.9L white ABS	67	44000115	TEMPOMATIC 4 basin tap M1/2" rec UK mains plug Ø15 stopcock	52
378015	BINOPTIC basin tap M3/8" mains 230/12V + trans	56	440006	TEMPOMATIC 4 basin tap F3/8" int. 6V batteries + stopcock	52
37801515	BINOPTIC basin tap Ø15 for comp. fitting 230/12V + trans	56	44000615	TEMPOMATIC 4 basin tap M1/2" 6V batteries 15mm + stopcock	52
378MCH	BINOPTIC MIX basin mixer M3/8" mains 230/12V + trans	56	440100	TEMPOMATIC 4, basin tap F3/8" recessed mains supply 230/6V	52
378MCH15	BINOPTIC MIX basin mixer Ø15 for CF mains 230/12V + trans	56	440101	TEMPOMATIC 4, basin tap F3/8" mains supply plug 230/6V	52
378MCHLH	BINOPTIC MIX basin mix M3/8" mains 230/12V + trans	-	440106	TEMPOMATIC 4 basin tap F3/8" integrated 6V batteries	52
379D13	BINOPTIC c-wall 190 basin tap M3/8" spout L135 mains + trans	61	441157	TEMPOMATIC cross wall 155 basin tap mains 230/12V spout L170	59
379D1315	BINOPTIC c-w 190 basin tap Ø15 for CF spout L135 mains +trans	61	44115715	TEMPOMATIC Ø15 for CF c-w 155 basin tap 230/12V spout L170	59
379DER	BINOPTIC c-wall 190 basin tap M3/8" spout L205 mains + trans	61	442006	TEMPOMATIC 3 basin tap F3/8" 6V int battery + stopcock	53
379DER15	BINOPTIC c-w 190 basin tap Ø15 for CF spout L205 mains +trans	61	44200615	TEMPOMATIC 3 basin tap M1/2" 6V batteries 15mm + stopcock	53
379ENC	BINOPTIC rec basin tap M3/8" spout L200 mains + trans	61	442106	TEMPOMATIC 3 basin tap F3/8" 6V integrated 6V battery	53
379ENC15	BINOPTIC rec basin tap Ø15 for CF spout L200 mains + trans	61	443006	TEMPOMATIC 3 wall mounted basin tap M1/2" 6V battery L190	59

References prefixed by * are available while stocks last. References are listed in ascending alphanumerical order.

REF.	DESCRIPTION	P.	REF.	DESCRIPTION	P.
443016	TEMPOMATIC 3 basin tap M1/2" 6V batt L.190 for panels 1-4mm	-	493416	TEMPOMATIC MIX 4 basin F3/8" mix c-wall 6V batteries L.130	58
443400	TEMPOMATIC 4 basin M1/2" wall-m tap 230/6V rec. mains L.130	58	493500	TEMPOMATIC MIX 4 basin M1/2" wall-m mix 230/6V rec mains L.220	58
443406	TEMPOMATIC 4 wall mounted basin tap M1/2" 6V batteries L.130	58	493506	TEMPOMATIC MIX 4 basin M1/2" wall-m mixer 6V batteries L.220	58
443410	TEMPOMATIC 4 basin M1/2" tap CW 230/6V rec. mains L.130	58	493510	TEMPOMATIC MIX 4 basin F3/8" mixer CW 230/6V rec mains L.190	58
443416	TEMPOMATIC 4 basin M1/2" cross wall tap 6V L.130	58	493516	TEMPOMATIC MIX 4 basin F3/8" mix c-wall 6V batteries L.190	58
443426	TEMPOMATIC 4 basin tap M1/2" 6V batteries L.130 panels 1-24mm	58	494000	TEMPOMATIC MIX 2 basin mix M3/8" mains 230/12V + transformer	57
443436	TEMPOMATIC 4 basin M1/2" tap batt 6V L.130mm solid walls refit	-	49400015	TEMPOMATIC MIX 2 basin mix Ø15 for CF mains 230/12V + trans	57
443500	TEMPOMATIC 4 basin M1/2" wall-m tap 230/6V rec. mains L.190	58	494000LH	TEMPOMATIC MIX 2 basin mixer M3/8" 230/12V + LH lever	-
443506	TEMPOMATIC 4 wall mounted basin tap M1/2" 6V batteries L.190	58	494006	TEMPOMATIC MIX 2 basin mixer M3/8" 6V battery	57
443510	TEMPOMATIC 4 basin M1/2" tap CW 230/6V rec. mains L.190	58	49400615	TEMPOMATIC MIX 2 basin mixer Ø15 comp. fitt. 6V battery	57
443516	TEMPOMATIC 4 basin M1/2" cross wall tap 6V L.190	58	494006LH	TEMPOMATIC MIX 2 basin mixer M3/8" 6V battery + LH lever	-
443526	TEMPOMATIC 4 tap M1/2" 6V batteries L.190 for panels 1-24mm	58	495009	TEMPOMATIC detector with cable L0.10m	92
443536	TEMPOMATIC 4 basin M1/2" tap batt 6V L.190mm solid walls refit	-	495070	TEMPOMATIC detector with cable L0.7m	92
444000	TEMPOMATIC 2 basin tap M3/8" mains 230/12V + transformer	57	495149	TEMPOMATIC detector with cable L.1.50m	92
44400015	TEMPOMATIC 2 basin tap Ø15 for CF mains 230/12V + transfo	57	495253	TEMPOMATIC MIX PRO basin mix M3/8" 230/12V with swivel spout	54
444006	TEMPOMATIC 2 basin tap M3/8" 6V battery	57	49525315	TEMPOMATIC MIX PRO basin mix Ø15 for CF 230/12V swivel spout	54
44400615	TEMPOMATIC 2 basin tap Ø15 compression fitting 6V battery	57	495257	TEMPOMATIC MIX PRO basin mix M3/8" 6V batt. with swivel spout	54
445253	TEMPOMATIC PRO basin tap M3/8" 230/12V with swivel spout	54	49525715	TEMPOMATIC MIX PRO basin mix Ø15 for CF 6V batt. swivel spout	54
44525315	TEMPOMATIC PRO basin tap Ø15 for CF 230/12V with swivel spout	54	495444BC	Standard electronic control unit 230/12V with duty flush	92
445257	TEMPOMATIC PRO basin tap M3/8" 6V batt. with swivel spout	54	495445BC	Multifunction elect control unit 230/12V for TEMPOMATIC	92
44525715	TEMPOMATIC PRO basin tap Ø15 for CF 6V batt. with swivel spout	54	495446BC	Electronic control unit 6V battery operated for TEMPOMATIC	92
447100	TEMPOMATIC basin tap M3/8" 230/12V for panel 1-12mm no spout	-	495499	TEMPOMATIC detector with cable L5m	92
478015	BINOPTIC basin tap M3/8" 6V battery	56	495606	Solenoid vlv M3/8" 6V + filter for TEMPOMATIC, BINOPTIC basin	92
47801515	BINOPTIC basin tap Ø15 for compression fitting 6V battery	56	495612	Solenoid vlv M3/8" 12V + filter for TEMPOMATIC, BINOPTIC basin	92
478MCH	BINOPTIC MIX basin mixer M3/8" 6V battery	56	495626	Solenoid vlv M1/2" 12V + filter for TEMPOMATIC basin/urinal	92
478MCH15	BINOPTIC MIX basin mixer Ø15 compression fittings 6V battery	56	495646	Discontinued	-
478MCHLH	BINOPTIC MIX basin mixer M3/8" 6V battery, LH	-	498015	BINOPTIC basin M3/8" tap H.250mm operated by 6V batteries	55
479650	Solenoid valve 6V with flow rate adjustor for TEMPOMATIC 4	-	49801515	BINOPTIC basin Ø15 for CF tap H.250mm 6V battery operated	55
479748	Solenoid valve D2 6V for TEMPOMATIC basins, urinals, showers	92	498MCHLH	BINOPTIC MIX basin M3/8" mixer H.250mm operated by 6V batteries	55
479749	Solenoid valve D2 6V for TEMPOMATIC 3	92	498MCHLH15	BINOPTIC MIX Ø15 for CF mixer H.250mm 6V battery operated	55
488015	BINOPTIC basin M3/8" tap H.170mm operated by 6V batteries	55	510580	Liquid soap dispenser 1L polished 304 stainless steel	81
48801515	BINOPTIC basin Ø15 for CF tap H.170mm 6V battery operated	55	510581	Liquid soap dispenser 1L white powder-coated 304 st. steel	81
488MCHLH	BINOPTIC MIX basin mix M3/8" H.170mm operated by 6V batteries	55	510582	Liquid soap dispenser 1L 304 stainless steel satin finish	81
488MCHLH15	BINOPTIC MIX Ø15 for CF mixer H.170mm 6V battery operated	55	510601P	Folded paper towel dispenser polished stainless steel	83
490000	TEMPOMATIC MIX 4, basin mix F3/8" rec mains supply +stopcocks	52	510601S	Folded paper towel dispenser stainless steel satin finish	83
49000015	TEMPOMATIC MIX 4 basin M1/2" rec mains supply Ø15 stopcocks	52	510714S	Paper towel disp + 10L bin rec combi unit (ex-0013680000)	83
490000LH	TEMPOMATIC MIX 4, basin mix F3/8" rec mains + stopcocks LH	-	510715S	Paper towel disp + 30L bin rec combi unit (ex-2015101324)	83
490001	TEMPOMATIC MIX 4, basin mix F3/8" mains plug + stopcocks	52	512066P	Electronic liquid soap dispenser 1L bright pol 304 st steel	81
49000115	TEMPOMATIC MIX 4 basin M1/2" rec UK mains plug Ø15 stopcocks	52	512066S	Electronic liquid soap dispenser 1L pol satin 304 st steel	81
490001LH	TEMPOMATIC MIX 4, basin mix F3/8" mains plug +stopcocks LH	-	512066W	Electronic liquid soap dispenser 1L white powder-ctd 304 st st	81
490006	TEMPOMATIC MIX 4 basin mixer F3/8" 6V batteries + stopcocks	52	5445T2S	Twin hole wall mtd sink mixer swivel underspout L200	43
49000615	TEMPOMATIC MIX 4 basin mix M1/2" batteries 15mm + stopcocks	52	5526	Pre-rinse set with single hole mixer, no bib tap	9
490006LH	TEMPOMATIC MIX 4 basin mix F3/8" 6V batteries +stopcocks LH	-	5603	Pillar mtd twin hole mixer 100lpm swivel spout Ø22 L300 H380mm	29
490100	TEMPOMATIC MIX 4, basin mixer F3/8" rec mains supply 230/6V	52	5610	Deck mtd single hole mixer 100lpm swivel spout Ø22 L300 H315	27
490100LH	TEMPOMATIC MIX 4, basin mix F3/8" rec mains supply 230/6V LH	-	5612	Deck mtd single hole mixer 100lpm swivel spout Ø22 L300 H650	29
490101	TEMPOMATIC MIX 4, basin mixer F3/8" mains plug 230/6V	52	5625	Black pre-rinse set with mixer + hand spray 433010, bib tap	7
490101LH	TEMPOMATIC MIX 4, basin mixer F3/8" mains plug 230/6V, LH	-	5626	Black pre-rinse with mixer + hand spray 433010, no bib tap	7
490106	TEMPOMATIC MIX 4 basin mixer F3/8" with int 6V batteries	52	5630	Black pre-rinse with mixer + hand spray 433010, no bib tap	11
490106LH	TEMPOMATIC MIX 4 basin mixer F3/8" int 6V batteries + LH	-	5632	Black pre-rinse set with mixer + hand spray 433010, bib tap	11
490230EXT	Electrical extension for TEMPOMATIC 4 basin	92	5633	Blk pre-rinse w. twin hole mix c-c 150, spray 433010 bib tap	12
490240	Recessed 6V supply for TEMPOMATIC 4 basin from Feb 2016	92	5634	Black wall-mtd pre-rinse mixer + hand spray 433010, bib tap	13
490241	6V eu. electrical plug for TEMPOMATIC 4 basin from Feb 2016	92	5636	Black wall-mtd pre-rinse mixer +hand spray 433010 no bib tap	13
490241UK	6V british electrical plug for TEMPOMATIC 4 basin	92	5640T2	Single hole mixer 45lpm, swivel spout L200, bakelite control	30
490446	Electronic control unit 6V battery operated for TEMPOMATIC 4	92	5640T3	Single hole mixer 45lpm, swivel spout L300, bakelite control	30
490450	Electronic unit for TEMPOMATIC 4 mains supply from Feb 2016	92	5641T2	Twin hole mixer c-c 150mm 60 lpm, tub swivel spout Ø22 L.200	30
492006	TEMPOMATIC MIX 3 basin mix F3/8" int 6V battery +stopcocks	53	5641T3	Twin hole mixer c-c 150mm 60 lpm, tub swivel spout Ø22 L.300	30
49200615	TEMPOMATIC MIX 3 basin mix M1/2" 6V batteries Ø15 +stopcocks	53	5645T2	Wall mtd mixer 60lpm, swan neck swivel underspout Ø22 L200mm	31
492006LH	TEMPOMATIC MIX 3 basin mix F3/8" 6V battery + stopcocks LH	-	5647T2	Wall mtd mixer 60lpm, swan neck swivel overspout Ø22 L200mm	31
492106	TEMPOMATIC MIX 3 basin mixer F3/8" int 6V battery	53	5647T3	Wall mtd mix 60lpm, swan neck swivel overspout Ø22 L300mm	31
492106LH	TEMPOMATIC MIX 3 basin mixer F3/8" int 6V battery LH	-	5650T2	Deck mtd single hole mixer 60lpm, swivelling spout H. 255mm	37
492446	Electronic control unit for TEMPOMATIC 3 integ 6V battery	92	5650T3	Deck mtd single hole mixer 60lpm, swivelling spout H. 355mm	37
493400	TEMPOMATIC MIX 4 basin M1/2" wall-m mix 230/6V rec mains L.160	58	5652	Deck mtd single hole mixer 60lpm, swivel spout L. 300 H. 685	37
493406	TEMPOMATIC MIX 4 basin M1/2" wall-m mixer 6V batteries L.160	58	5675T2	St steel auto rewind hose reel L. 15m adj trigger hand spray	73
493410	TEMPOMATIC MIX 4 basin F3/8" mixer CW 230/6V rec mains L.130	58	5676T2	Auto rewind hose reel L. 15m adjustable trigger hand spray	73

References prefixed by * are available while stocks last. References are listed in ascending alphanumeric order.

REF.	DESCRIPTION	P.	REF.	DESCRIPTION	P.
5679	Swivelling bracket for auto rewind hose reel	73	739000	MIXFOOT floor mounted pedal operated mixer MM1/2" stud nut	62
5680	Pre-rinse w. twin hole mix c-c 150, spray 433010 no bib tap	12	739100	MIXFOOT floor mounted pedal operated mixer MM1/2" w-out nut	62
581000	On/Off washbasin waste 1 1/4" stainless steel valve	79	739102	MIXFOOT wall mounted pedal operated mixer MM1/2" without nut	62
5825	Black pre-rinse set with mixer + hand spray 433009, bib tap	7	743006	TEMPOSTOP basin/urinal cartridge ~7sec time flow, V2	-
5826	Black pre-rinse with mixer + hand spray 433009, no bib tap	7	743306	TEMPOSTOP cross wall/lever basin/urinal cartridge ~7sec, V2	-
5830	Black pre-rinse with mixer + hand spray 433009, no bib tap	11	743311	TEMPOSTOP cross wall/lever basin/shower cartridge ~15sec, V2	-
5832	Black pre-rinse set with mixer + hand spray 433009, bib tap	11	743324	TEMPOSTOP cross wall/lever urinal cartridge ~3sec, V2	-
5833	Blk pre-rinse w. twin hole mix c-c 150, spray 433009 bib tap	12	743732	Maintenance kit for PREMIX NANO	92
5834	Blk wall-mtd pre-rinse set with mixer + spray 433009 bib tap	13	745100	TEMPOSTOP basin tap M1/2" ~7sec time flow + back nut	75
5836	Black wall-mtd pre-rinse mixer +hand spray 433009 no bib tap	13	745440	TEMPOSTOP lever operated basin tap M1/2" ~7sec	75
5880	Pre-rinse w. twin hole mix c-c 150, spray 433009 no bib tap	12	745460	TEMPOSTOP lever operated basin tap M1/2" ~15sec	-
60212.10P	10 × Integrated flat filter 0.5 for nut 1/2"	90	746000	TEMPOSTOP wall mounted basin tap M1/2" ~7sec	75
60220.10P	*10 × Flat filters for nut F1/2" (while stk then 60212.10P)	-	748126	TEMPOSTOP angled basin tap M1/2" rough cast ~7sec + bk nuts	71
60221.10P	Replaced by 60234.10P	-	748130	TEMPOSTOP angled basin tap M1/2" rough cast ~15sec + bk nuts	-
60234.10P	10 × Integrated flat filter 0.5 for nut 3/4"	90	748626	TEMPOSTOP wall mtd basin tap M1/2" ang rough body ~7sec flow	71
611	HYGIÉNA waste 1 1/4" concave grid, adaptable slotted lantern	79	748630	TEMPOSTOP wall mtd basin tap M1/2" ang rough body ~15sec flow	-
6110	HYGIÉNA waste with concave grid for basins, stainless steel	79	753733	Maintenance kit for PREMIX COMPACT	92
6601	Folded paper towel dispenser polished stainless steel	85	753734	PREMIX COMPACT repair kit after 03/2021	-
6606	180 × Folded paper towels	83	753736	Maintenance kit for MONOFOOT	91
6607D	Folded paper towel dispenser stainless steel satin finish	85	753739	Maintenance kit for MIXFOOT	91
6611	Wall mounted paper towel bin polished stainless steel	85	811610.2P	2 × Copper tails M10 × 1 L365mm	79
6617	Wall mounted paper towel bin stainless steel satin finish	85	811611.2P	2 × Copper tails M11 × 1 L365mm	79
6692	White pre-rinse set with mixer + hand spray 433000, bib tap	18	826315	Back-nut F1/2" 4mm thick with 3 screws and washer	63
6693	White pre-rinse set with mixer +hand spray 433000 no bib tap	18	835T1	Black nylon flexible for sink hand spray L1.5m	79
6712	Hypereco liquid soap dispenser elbow control 0.9L white ABS	81	841315	Chromed backplate elbow MF1/2"with stud nut Ø14	-
682001	Floor trap 100×100 hard floors adj H integrated outlet Ø40	87	845527.2P	2 × Fastfix Connector for walls for pipes Ø15 M3/4"	79
682001UK	Floor trap 100×100 hard floors adj H horiz elbow outlet Ø43	87	856027.2P	2 × S union M1/2" M3/4" with cover plate, offset 12mm	79
683001	Floor trap 150×150 hard floors adj H integrated outlet Ø40	87	856127.2P	2 × S union M1/2" M3/4" with cover plate, offset 11mm	79
683001UK	Floor trap 150×150 hard floors adj H horiz elbow outlet Ø43	87	856794.2P	2 × S union M1/2" M3/4" with cover plate, offset 11mm	79
683002	Floor trap st steel grid Ø114 vinyl floors integ. outlet Ø40	87	857027.2P	2 × S union M1/2" M3/4" with cover plate, offset 21mm	79
683002UK	Floor trap st steel grid Ø114 vinyl floors elbow outlet Ø43	87	921022.2P	2 × Star shaped flow straightener F22/100	63
684000	Floor trap with grid 140×140 - vertical outlet Ø40	87	921022.50P	50 × Star shaped flow straightener F22/100	63
6892	White mixer + column with hand spray 433003, bib tap	18	921024.2P	2 × Star shaped flow straightener M24/100	63
6893	White mixer + column with hand spray 433003, without bib tap	18	921024.50P	50 × Star shaped flow straightener M24/100	63
729008	Soap dispenser straight spout 1L bottle, chromed brass	82	922022.2P	2 × Eco flow straightener adjustable flow rate F22/100	63
729012	Soap dispenser curved spout 1L bottle, chromed brass	82	922024.2P	2 × Eco flow straightener adjustable flow rate M24/100	63
729108	Soap dispenser straight spout, tube L1200, chromed brass	82	923022	BIOSAFE outlet with collar F22×100, 5L	90
729112	Soap dispenser curved spout, tube L1200, chromed brass	82	923022.50P	50 × BIOSAFE outlet with collar F22×100, 5L	90
729150	Wall mounted soap dispenser cross wall 180, chromed	82	923024	BIOSAFE outlet with collar M24×100, 5L	90
729302	Maintenance kit for soap dispenser type 729150/729012	91	923024.50P	50 × BIOSAFE outlet with collar M24×100, 5L	90
729303	Cartridge for soap dispenser type 729150/729200	91	925622.2P	2 × Scale proof aerators F22/100 + eco washer	90
729308	Cartridge for soap dispenser type 729008	91	925624.2P	2 × Scale proof aerators M24/100 + eco washer	90
729312	Cartridge for soap dispenser type 729012	91	941120	Wall mounted fixed L-shaped spout M1/2" L120 - H60 adj FS	63
729508	Soap dispenser straight spout 0.5L bottle, chromed brass	82	941922	Wall mtd L-shaped spout for panels 1-10mm M1/2" L120 H60 FS	63
729512	Soap dispenser curved spout 0.5L bottle, chromed brass	82	942040	Spout for cross wall 30mm M1/2" L75 flow straightener	63
732012	PREMIX NANO thermostatic mixer FM3/8" nickel body	86	942200	Spout for cross wall 230mm M1/2" L75 flow straightener	63
732016	PREMIX NANO thermostatic mixer FM3/8" chromed body	86	943200110	Tubular swivel under spout Ø22 L200mm, nut 3/4" and brass FS	79
732115	PREMIX NANO thermostatic mixer Ø15mm nickel body	86	943300110	Tubular swivel under spout Ø22 H.80 L.300mm, nut 3/4"	-
732116	PREMIX NANO thermostatic mixer Ø15mm chromed body	86	947120	Wall mounted fixed spout M1/2" L.110 H16 Ø32 adjustable FS	63
732216	PREMIX NANO thermostatic mixer 3/8" chromed body	86	947135	Wall mtd fixed spout M1/2" L120 H16 Ø32 adj FS + plate Ø60	63
732230	PREMIX NANO tmv 3/8" chrome-plated + union kit PEX L.300	-	947151	Fixed spout for walls 165mm M1/2" L120 Ø32 adjustable FS	63
732515	Connection kit PEX L300 for PREMIX NANO 732216	86	947157	Fixed spout for walls 165mm M1/2" L170 Ø32 adjustable FS	63
733015	PREMIX COMPACT thermostatic mixer M1/2" rough cast body	86	947170	Wall mounted fixed spout M1/2" L160 H16 Ø32 adjustable FS	63
733016	Replaced by 733015	-	947185	Replaced by 947170	-
733020	PREMIX COMPACT thermostatic mixer M3/4" rough cast body	86	963150125F	Swivelling tubular over spout Ø 22, H.115 L.150 nut 3/4"	90
733021	Replaced by 733020	-	963150923F	Tube swivel spout Ø22 BIOSAFE open flow outlet H105 L150mm	90
734100	TEMPOGENOU angled MM1/2" lever L350 ~7sec	62	963200145F	Tubular swivel overspout Ø22, H.135 L.200mm nut 3/4"	90
735400	TEMPOGENOU inline MM1/2" lever L350 ~7sec	62	963200245F	Tubular swivel overspout Ø22, H.230 L.200mm nut 3/4"	90
73544715	TEMPOGENOU inline MM1/2", lever L350 ~7sec comp fit + olives	62	963200923F	Tube swivel spout Ø22 BIOSAFE open flow outlet H130 L200mm	90
736001	MONOFOOT floor mounted pedal operated valve MM1/2" stud nut	62	9632526	Self-supporting spout for mixer 2526T2	-
736101	MONOFOOT floor mounted pedal operated vlv MM1/2" without nut	62	963300145F	Tubular swivelling overspout Ø22, H.130 L.300mm, nut 3/4"	90
736102	MONOFOOT wall mounted pedal operated vlv MM1/2" without nut	62	963300245F	Tubular swivel overspout Ø22, H.230 L.300mm, nut 3/4"	90
737152	TEMPOSTOP pillar basin tap M1/2" swan neck spout lever L150	40	963300245G	Swan neck overspout Ø22 L300 nut 3/4" + brass FS	90
737202	TEMPOSTOP pillar basin tap M1/2" swan neck spout lever L200	40	966230	Telescopic swivel spout F3/4" L200-290mm	79

References prefixed by * are available while stocks last. References are listed in ascending alphanumerical order.

REF.	DESCRIPTION	P.	REF.	DESCRIPTION	P.
966380	Telescopic swivel spout F3/4" L300-470mm	79	G6533	Pre-rinse twin hole mix c-c 150 + spray 433000 no bib tap	19
967152	Swivel swan neck spout M1/2" L150 H120 adj flow straightener	63	G6559	Twin hole mixer M1/2" no spout	-
967202	Swivel swan neck spout M1/2" L200 H200 adj flow straightener	63	G65602	Deck mtd mixer 100-240 c-c vlv head controls spout L200 H250mm	38
981142	Fixed cast spout M1/2" L140 H120 adj flow straightener	63	G65603	Deck mtd mixer 100-240 c-c vlv head controls spout L300 H340mm	38
983615	*ECONOMIX 15/3 thermostatic mixing valve (while stock)	-	G6632	White pre-rinse set with mixer + hand spray 433000, bib tap	17
983622	*ECONOMIX 22/3 thermostatic mixing valve (while stock)	-	G6633	White pre-rinse with mixer + hand spray 433000 no bib tap	17
990123	2 x Lithium batteries 3V type 123A for elect unit 495446BC	92	G66452	Single hole mixer 45lpm, swivel spout L200mm, control knobs	38
990223	Lithium battery 6V type 223 for units 479446, 490446, 492446	92	G66453	Single hole mixer 45lpm, swivel spout L300mm, control knobs	38
993615	*ECONOMIX 15/3 Combi thermostatic mixing valve (while stock)	-	G6679	Wall mtd mixer valve head control + telesc spout L200-290mm	43
993622	*ECONOMIX 22/3 Combi thermostatic mixing (while stock)	-	G6732	White wall-mtd pre-rinse mixer +hand spray 433003, bib tap	20
BA9915	*2 x 15mm Combi angled inlet assembly (while stock)	-	G6733	White wall-mtd pre-rinse mixer +hand spray 433003 no bib tap	20
BA9922	Discontinued	-	G6832	White pre-rinse twin hole mix c-c 150, spray 433003 bib tap	19
C151AH75	2 x Connectors with non-return valve FM3/8"	90	G6833	Pre-rinse twin hole mix c-c 150 + spray 433003 no bib tap	19
C282025	2.5mm Allen key to adjust flow rate on Eco flow straightener	90	G6932	White pre-rinse with mixer + hand spray 433003, bib tap	17
C291AH75	2 x Connectors with non-return valves FM1/2"	90	G6933	White pre-rinse with mixer + hand spray 433003, no bib tap	17
CEL378150V	Detector + L1.50m cable for BINOPTIC, TEMPOMATIC 2	92	N109AG75	Ceramic cartridge Ø40 with base plate, no flow rate limiter	91
CEL378499V	Detector + L5m cable for BINOPTIC, TEMPOMATIC 2	92	N148AA75	Ceramic cartridge Ø40 no base, no flow rate limiter	91
CEL378V	Detector + L0.70m cable for BINOPTIC, TEMPOMATIC 2	92	N222	Ceramic cartridge Ø35 with base, with flow rate regulator	91
D2553	Pillar tap M1/2" with Long-Life valve head H190 L150	40	N248AA75	Ceramic cartridge Ø40 no base with flow rate limiter	91
D273015	Deck mounted tap MM1/2"	-	NS262	Ceramic cartridge Ø35 with base plate	91
D275059	Oven cleaner w. push button, food grade reinforced hose L 125	74	NS565	Ceramic cartridge Ø45 for deck-mounted mixer 60 lpm	91
D275150	Wall mounted tap M1/2" with swivel spout L150	44	P271AA85	Valve head 1/4 left turn Hot Water + lever	91
D275200	Wall mounted tap M1/2" with swivel spout L200	44	P272AA85	Valve head 1/4 right turn Cold Water + lever	91
D276020	Wall mounted tap for washing machines M1/2", M3/4"	-	P295AA85	Valve head 1/2 left turn Hot Water + lever	91
G6432	White wall-mtd pre-rinse mixer + hand spray 433000, bib tap	20	P296AA85	Valve head 1/2 right turn Cold Water + lever	91
G6433	White wall-mtd pre-rinse mixer +hand spray 433000 no bib tap	20	P482AJ75	Ceramic head 1/2" 1/4 right turn	91
G6493	Wall mounted mixer F3/4" centres 150mm	-	P5445	Ceramic head with control for ref. 5445T2S	91
G6532	White pre-rinse twin hole mix c-c 150, spray 433000 bib tap	19			

References prefixed by * are available while stocks last. References are listed in ascending alphanumerical order.

The general terms and conditions are valid for all customers.

ORDERS AND QUOTATIONS:

These will be processed in order of receipt.

We do not accept open orders or orders for call-off.

All orders sent imply acceptance of our general terms and conditions of sale and customers waive any claims that may arise from clauses in their own documentation which may differ.

The customer agrees to these terms from the moment that we receive the order, which cannot be cancelled. Orders are accepted without obligation to deliver the order in full in one delivery.

Our commercial representatives are not authorised to agree additional terms verbally, or to provide verbal guarantees beyond those provided in the written contract. In the event of default or delayed payment, the Company will be entitled to suspend deliveries or cancel existing orders without any claim for damages from the customer. In the event of a change in circumstances of the buyer, we reserve the right to cancel existing orders or to demand payment guarantees.

Our quotes do not amount to specifications; specifiers and professional installers are solely responsible for the choice of products according to their intended use, current regulations and recommended guidelines.

PRICE:

Deliveries are invoiced according to the conditions in place at the date of despatch. Prices are given without guarantee and they may be changed without notice subject to fluctuations in costs, VAT or other taxes, according to the prevailing economic conditions.

Price increases will be announced one month prior to their application, and they apply to quotes and orders in hand.

PAYMENTS:

Terms of payments are confirmed when an account is opened, and are dependent on the terms of our credit insurance, and according to each country.

We do not give discount for early payment.

In accordance with Article L441-6 of the Commercial Code, any delay in payment will give rise to the following from the first day of delay, regardless of their status with the supplier:

- An interest rate for delayed payment will be applied, equal to the European Central Bank refinancing rate plus 10% (French Law of Modernization of the Economy - LME – No. 2008-776 of 4th August 2008);
- A one-off payment of 40 Euros will apply to cover expenses (European Directive 2011/7 of 16th February 2011, Law 2012-387 of 22nd March 2012, and Decree 2012-1115 of 2nd October, 2012);
- When the recovery costs exceed the amount of the one-off payment, additional compensation will apply where justified.

In the case of late payment, a one-off payment may be required, replacing existing conditions. We will not accept any set off, only our assets have a legal value.

DELIVERY TIMES:

Despatch dates are indicative only and we shall not be liable for any delay or failure in carrying out our obligations where the delay or failure to deliver is caused by risks of manufacturing or where the cause is beyond our control. Delivery delay will not give rise to compensation payment or goods rejection.

SHIPPING:

Orders are sent to our distributors. We do not deliver to site. The buyer assumes responsibility for carriage and packing costs unless otherwise stated in the Incoterms on the invoice accompanying the goods. The goods are always forwarded at the buyer's own risk, whatever the method of transport, even if the carriage is free and special conditions have been granted. The carrier is solely responsible for their delivery, and in the event of delay, missing items, damage or other dispute, the customer must indicate this via the delivery driver's paperwork (either electronically or in hard copy) AND follow up with written notification sent by recorded delivery within 24 hours. A copy of this letter must be addressed to us.

CLAIMS:

No claim will be allowed where the delay in reporting exceeds 8 days following receipt of the goods.

The whole of the delivery cannot be rejected because of partial damages and shortages.

PROPERTY IN GOODS:

Notwithstanding any agreed terms of sale, the goods shall remain the property of the seller until payment is made in full. The failure to meet a payment deadline may result in the reclamation of these goods.

The buyer assumes the risks of loss or damage, regardless of the means of delivery, as described in 'DELIVERY TIMES' and 'SHIPPING' above, as well as liability for the damage they might cause.

WARRANTY AND RESPONSIBILITY:

Our products are warranted against any manufacturing defect for a period of 10 years, including electronic controls, excluding other electrical accessories (e.g. hand dryers, etc.) which have a 3-year warranty from the invoice date. This does not apply to products with an expiry date. This warranty is limited to replacement or repair of defective components as determined by our workshops in France but excludes the costs of spoilage, handling and carriage or compensation whatever they are. We are not responsible for handling charges and the cost of returning products to our workshops.

Disasters or major water damage as a result of manufacturing defects are covered by our product and/or public liability insurance.

Our warranty and responsibility does not include the following:

- installation that does not comply with the technical specification or current recommended guidelines;
- worn parts;
- non-compliance with installation, user and maintenance guides;
- other factors independent of our products' quality, for example: detergents or abrasive cleaning products, the action of hard water, foreign bodies (e.g. gravel, sand, iron filings, scale, etc.), chemical and electrolytic phenomenon;
- lack of supervision, poor storage or poor maintenance;
- product modifications or actions by the customer, or a third party, without our authorisation using non-DELABIE components and/or consumable items.
- products past their expiry date.

The water-tightness of connections, joints and the product housing is the responsibility of the professional responsible for installation, and must be guaranteed by them. Warranty excludes joints, valves, washers and rubber seals. However they would be supplied if the warranty application requires them. Any finishes other than chrome or nickel are also excluded from the warranty. In the event that the product has been discontinued or manufacturing methods have changed and replacements are not available, similar alternative products will be offered. Replacement under warranty will not extend the duration of the original warranty.

Legal warranty of latent defects applies in any event.

SPARE PARTS:

Spare parts and mechanisms that are essential to ensure the correct operation of our products will be held in stock for the duration of the guarantee. They are listed at the back of our catalogues.

RETURNS:

Goods may not be returned to us for credit without our prior written approval obtained by the buyer from the Company and they are received in a good state (determined by our goods inwards department). All transportation costs for returned goods must be paid by the buyer. Goods must be returned to our factory* with good protective packaging. Deliveries less than a month old will be refunded at the invoiced price. For deliveries older than one month, a deduction will be made for checking, handling and administration costs. A repair and re-stocking fee will apply where appropriate.

Product returns are not permitted in the following circumstances: discontinued products, specially manufactured products, technical or aesthetic evolution of the product since the date of purchase, scratched or damaged products, products purchased more than one year previously, products with an expiry date. If sent to DELABIE, those products outside the scope of returns will be immediately destroyed/recycled, and will not be returned to the customer.

The schedule of standard deductions is as follows:

- return less than 1 month: refund at invoiced price
- return between 1 and 3 months: deduction of 15%
- return between 3 months and 1 year: deduction of 30%
- return after 1 year: no refund possible.
- return without prior agreement: additional deduction of 5% of the value of the goods with a minimum value of €50 excl. VAT.

* DELABIE S.C.S.

18, rue du Maréchal Foch
80130 Friville Escarbotin – FRANCE

CLEANING - MAINTENANCE:

Clean with slightly soapy water only, using a soft cloth or sponge, rinse and dry thoroughly. Do not use abrasive or chlorine-based products (with a hydrochloric acid base), or dyes.

PHOTOGRAPHS AND DRAWINGS:

All photos, drawings or illustrations are for illustrative purposes only, without contractual obligation, and may be subject to change without notice.

We reserve the right to modify designs and dimensions without notice and without recourse. This applies to all references, dimensions, information contained in various documents, catalogues, installation guides, price lists and websites, which can be modified or discontinued at any time without notice.

INTELLECTUAL PROPERTY AND USE OF CONTENT:

The content (including but not limited to the information, text, graphics, data, images, photos, visuals, videos and soundtrack, and the format of all these elements and our catalogues, websites, etc.) are protected under copyright and/or other intellectual property. The contents are the sole property of their respective editors. Any copying, reproduction, use, adaptation, alteration, modification, translation, dissemination, complete or partial, of content, whether they belong to DELABIE or a third party which has granted the rights to DELABIE, by any means whatsoever, is illegal except for the limiting rights that are granted below, and/or private copying for the exclusive use of the copier. The content presented in our communication and business tools may be subject to change without notice and are provided without warranty of any kind, express or implied, and cannot give rise to any right to compensation. Protected content may be specifically identified by the following copyright notices: © or "All rights reserved".

The names and logos appearing in our catalogues and websites are registered trademarks. These distinctive marks are the exclusive property of DELABIE or third parties who have granted the rights to DELABIE. Any use, complete or partial reproduction, or imitation of these marks is prohibited without prior express consent of DELABIE.

Alteration and modification of the contents or their use for any purpose other than that authorised, constitute an infringement of DELABIE's, or a third party's, property rights. With the following limitations, DELABIE grants you the right to download and distribute the content:

- where the download function exists
- for non-commercial purposes
- in good faith
- for maintaining the proprietary notices intact, and for the publication or posting of existing content online, if such information is stated. This right should in no way be interpreted as a trademark or copyright license for the aforementioned content.

PERSONAL DATA PROTECTION:

In line with the General Data Protection Regulation (GDPR), DELABIE is doing everything necessary to limit to a bare minimum the collection of personal data, and its conservation and ensure its protection.

DELABIE only uses this data for its own use for purposes of information and commercialisation of its products. It is not, under any circumstances, given to third parties.

The right of access, rectification, removal and opposition to the processing in addition to the limitation and transferability of your data is possible on request to our Data Protection Officer (DPO) at DELABIE via email (dpo@delabie.fr) or recorded delivery with a photocopy of a photo ID to the following address: DELABIE, 18 rue du Maréchal Foch, 80130 FRIVILLE, France.

To improve our services and for training purposes, calls to DELABIE may be recorded. These recordings will not be retained, and will be systematically deleted within a maximum period of 48 hours.

EXCLUSIVE TERRITORIES:

In most countries throughout the world, our company has entered into exclusive agreements with organisations to import and distribute our products. Within this framework, our clients cannot sell our products outside their national borders without an express prior agreement on our part.

JURISDICTION:

Acceptance of an order delivered from France settles the contract under the French law. All disputes arising from the present contract will be settled definitively by the Court located in the area of our domicile, even in the event of multiple defendants, regardless of the delivery location or stipulated payment. All clauses to the contrary will be considered null by the mere fact of having dealt with our company.

AVAILABLE CATALOGUES:

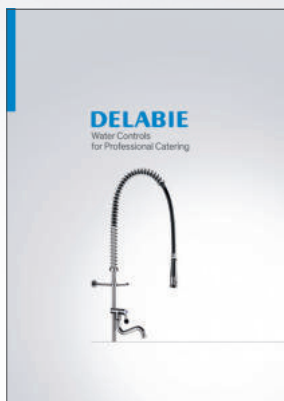
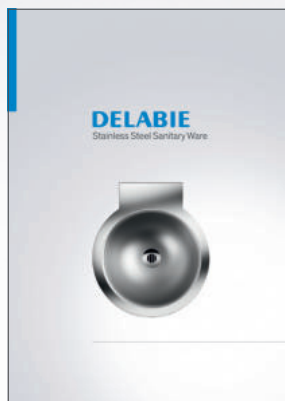
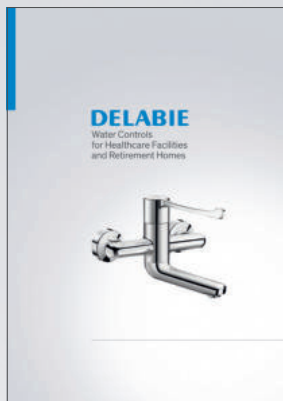
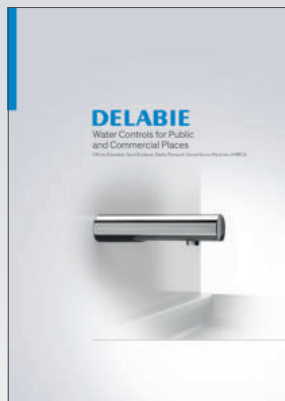
DOC 609INT: Water Controls for Public and Commercial Places

DOC 950INT: Accessibility and Independence - Hygienic Accessories for Public and Commercial Places

DOC 900INT: Water Controls for Healthcare Facilities and Retirement Homes

DOC 750INT: Stainless Steel Sanitary Ware

DOC 200INT: Water Controls for Professional Catering



DELABIE

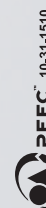
18, rue du Maréchal Foch
80130 FRIVILLE - FRANCE

DELABIE S.C.S., share capital 1.000.000 € - RCS 615 680 089 Amiens

delabie.com



3 456330 140034



DOC 200INT - 11/2021